



Pushing Performance

SINAMICS G120D

Supplementary products



Edition 2012/01

Solution Partner

Automation

SIEMENS



Pushing Performance

Order note:

The articles and order numbers listed in this catalogue are special numbers, which were created within the context of the partnership between Siemens and HARTING. Order processing is only possible within the framework of this partnership for the Siemens product range.

Prices (UPE) at this Catalogue are recommended sales prices.

A binding quotation with your conditions you will receive via your responsible HARTING subsidiary company.

Send your inquiry to:

Contact and delivery address:

HARTING Deutschland GmbH & Co. KG
<mailto:Solution-partner@HARTING.com>

Heike Sielaff
Tel. +49 571 8896-223
Simeonscarré 1
32427 Minden
Germany

For technical questions:

<mailto:Solution-partner@HARTING.com>

Andreas Scheuer
Tel. +49 571 8896-263

Sven Wessel
Tel. +49 571 8896-335



SINAMICS G120D

Table of contents

| | | |
|----------|--|-----------|
| 1 | Power – connection | 5 |
| 1.1 | Power T-terminal connector | 5 |
| 1.2 | Energy T-Connector for power bus max. 25mm ² | 6 |
| 1.3 | Energy double T-Connector | 6 |
| 1.4 | Power bus cable (sold by ring) 2,5mm ² | 7 |
| 1.5 | Power bus cables (sold by ring) 4mm ² | 7 |
| 1.6 | Power bus cables (sold by ring) 6mm ² | 7 |
| 2 | Power – Cable | 8 |
| 2.1 | Power cables for frequency converter, prefabricated | 8 |
| 2.1.1 | Cross section 2,5mm ² | 8 |
| 2.1.2 | Cross section 4mm ² | 9 |
| 2.1.3 | Cross section 6mm ² | 9 |
| 2.2 | Power cables for frequency converter one-sided fabricated | 10 |
| 2.2.1 | Cross section 2,5mm ² | 10 |
| 2.2.2 | Cross section 4mm ² | 10 |
| 2.2.3 | Cross section 6mm ² | 11 |
| 2.3 | Power cables (sold by meter) 2,5mm ² | 11 |
| 2.4 | Power cables (sold by meter) 4mm ² | 11 |
| 2.5 | Power cables (sold by meter) 6mm ² | 11 |
| 2.6 | Sets of connectors for power cable | 12 |
| 3 | Motor connection | 13 |
| 3.1 | Motor cable (shielded) for motors in star-connection with brake and temperature transmitter | 13 |
| 3.1.1 | Cross section 4x1,5mm ² + 2x(2x0,75mm ²) | 13 |
| 3.1.2 | Cross section 4x2,5mm ² + 2x(2x0,75mm ²) | 13 |
| 3.1.3 | Cross section 4x4mm ² + (2x1,0mm ² + 2x1,5mm ²) | 14 |
| 3.2 | Motor cable (shielded) for motors in delta connection with brake and temperature transmitter | 14 |
| 3.2.1 | Cross section 4x1,5mm ² + 2x(2x0,75mm ²) | 14 |
| 3.2.2 | Cross section 4x2,5mm ² + 2x(2x0,75mm ²) | 15 |
| 3.2.3 | Cross section 4x4mm ² + (2x1,0mm ² + 2x1,5mm ²) | 15 |
| 3.2.4 | Cross section 4x4mm ² + (2x1,0mm ² + 2x1,5mm ²) | 15 |
| 3.2.5 | Set of connectors for adapter cable | 15 |

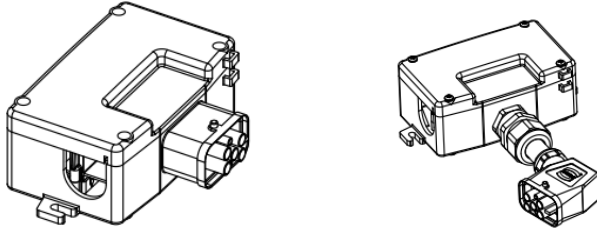


Pushing Performance

| | | |
|-------------------------------------|---|--------------|
| 3.3 | Motor cable (shielded) for motors----- | 16 |
| 3.3.1 | Motor cable (shielded) for motors with brake and temperature transmitter, one-sided fabricated----- | 16 |
| 3.3.1.1 | Cross section 1,5mm ² ----- | 16 |
| 3.3.1.2 | Cross section 2,5mm ² ----- | 16 |
| 3.3.1.3 | Cross section 4mm ² ----- | 17 |
| 3.3.2 | Motor cable (shielded) for motors, one-sided fabricated ----- | 17 |
| 3.3.2.1 | Cross section 1,5mm ² ----- | 17 |
| 3.3.2.2 | Cross section 2,5mm ² ----- | 18 |
| 3.3.2.3 | Cross section 4mm ² ----- | 18 |
| 3.4 | motor cable 4x1,5mm ² + 2x(2x0,75mm ²) sold by ring----- | 18 |
| 3.4.1 | motor cable 4x1,5mm ² (sold by ring) ----- | 18 |
| 3.5 | Motor cable 4x2,5mm ² + 2x(2x0,75mm ²) sold by ring ----- | 19 |
| 3.5.1 | Motor cable 4x2,5mm ² (sold by ring)----- | 19 |
| 3.6 | Motor cable 4x4mm ² + (2x1,0mm ² + 2x1,5mm ²) sold by ring ----- | 19 |
| 3.6.1 | Motor cable 4x4mm ² (sold by ring) ----- | 19 |
| 3.7 | Motor cable 4x6mm ² + (2x1,0mm ² + 2x 1,5mm ²) sold by ring UL-Norm – adapter cable | 19 |
| 3.8 | Sets of connectors (shielded) for motor connection cable on the side of the converter----- | 20 |
| 3.9 | Set of connectors (shielded) for motor connection cable on the side of the motor ---- | 21 |
| 4 | Accessories ----- | 22 |
| 4.1 | Set of connectors for power bus at connection switchgear / subdistributor----- | 22 |
| 4.2 | Protection cover----- | 23 |
| 4.3 | Crimping tool----- | 23 |
| 4.4 | Dismantle tools for male and female inserts ----- | 23 |
| Technical Datasheets | | Page 24 - 61 |
| Index list of product's | | Page 62 – 63 |
| List of HARTING Subsidiaries | | Page 64 |

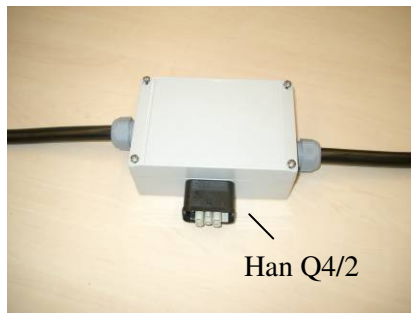
1 Power – connection

1.1 Power T-terminal connector



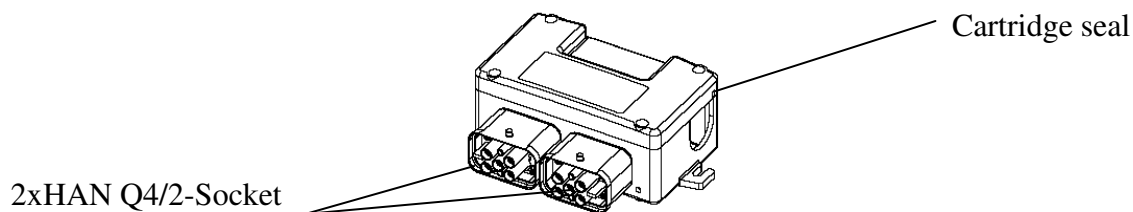
| Order number | Description | UPE € |
|--------------------|--|-------|
| HTG:61 88 201 0500 | Power T-terminal connector for power bus cable for 2,5mm ² - 4mm ² With built-in 7-pole connector, female insert, Hood, UL | 32,22 |
| HTG:61 88 201 0501 | Power T-terminal connector for power bus cable for 4mm ² - 6mm ² With built-in 7-pole connector, female insert, Hood, UL | 32,22 |
| HTG:61 88 201 0502 | Power T-terminal connector Length 2,5m and 7-pole connector, female insert, hood, UL for power bus cable for 2,5mm² - 4mm² with connected cable 5 x 2,5mm² | 45,95 |
| HTG:61 88 201 0503 | for power bus cable for 4mm² - 6mm² with connected cable 5 x 4mm² | 49,15 |
| HTG:61 88 201 0504 | for power bus cable for 4mm² - 6mm² with connected cable 5 x 6mm² | 53,92 |
| HTG:61 83 401 0200 | Sealing for cable 10 – 13mm 1Set =2 pieces | 1,38 |
| HTG:61 83 401 0201 | Sealing for cable 13 – 16mm 1Set =2 pieces | 1,38 |
| HTG:61 83 401 0202 | Sealing for cable 16 – 19mm 1Set =2 pieces | 1,38 |
| HTG:61 83 401 0203 | Sealing for cable 19 – 22mm 1Set =2 pieces | 1,38 |
| HTG:61 83 401 0204 | Sealing blind grommet 1 piece | 0,88 |

1.2 Energy T-Connector for power bus max. 25mm²



| Order number | Description | UPE € |
|--------------------|---|-------|
| HTG:61 88 201 0181 | Energy T-terminal connector for power bus cable up to 25mm ² for power bus cross sectional change or power bus extension Glands M25 for cable cross section from 13 up to 18 mm With built-in 7-pole connector, female insert, hood | 70,22 |

1.3 Energy double T-Connector



| Order number | Description | UPE € |
|--------------------|---|-------|
| HTG:61 88 202 0770 | Energy double T-connector for bus cable from 4mm ² up to 6mm ² With two built-in 7-pole connector, female insert, hood, UL/CSA | 51,73 |
| HTG:61 83 401 0200 | Sealing for cable 10 – 13mm 1Set =2 pieces | 1,38 |
| HTG:61 83 401 0201 | Sealing for cable 13 – 16mm 1Set =2 pieces | 1,38 |
| HTG:61 83 401 0202 | Sealing for cable 16 – 19mm 1Set =2 pieces | 1,38 |
| HTG:61 83 401 0203 | Sealing for cable 19 – 22mm 1Set =2 pieces | 1,38 |
| HTG:61 83 401 0204 | Sealing blind grommet 1 piece | 0,88 |



Pushing Performance

1.4 Power bus cable (sold by ring) 2,5mm²

| Order number | Description | UPE € |
|--------------------|--|--------|
| HTG:61 88 600 0101 | Power bus cable, 5x2,5mm² Length 50m | 220,52 |
| HTG:61 88 600 0102 | Length 100m | 426,10 |
| on request | Length >100m | |

1.5 Power bus cables (sold by ring) 4mm²

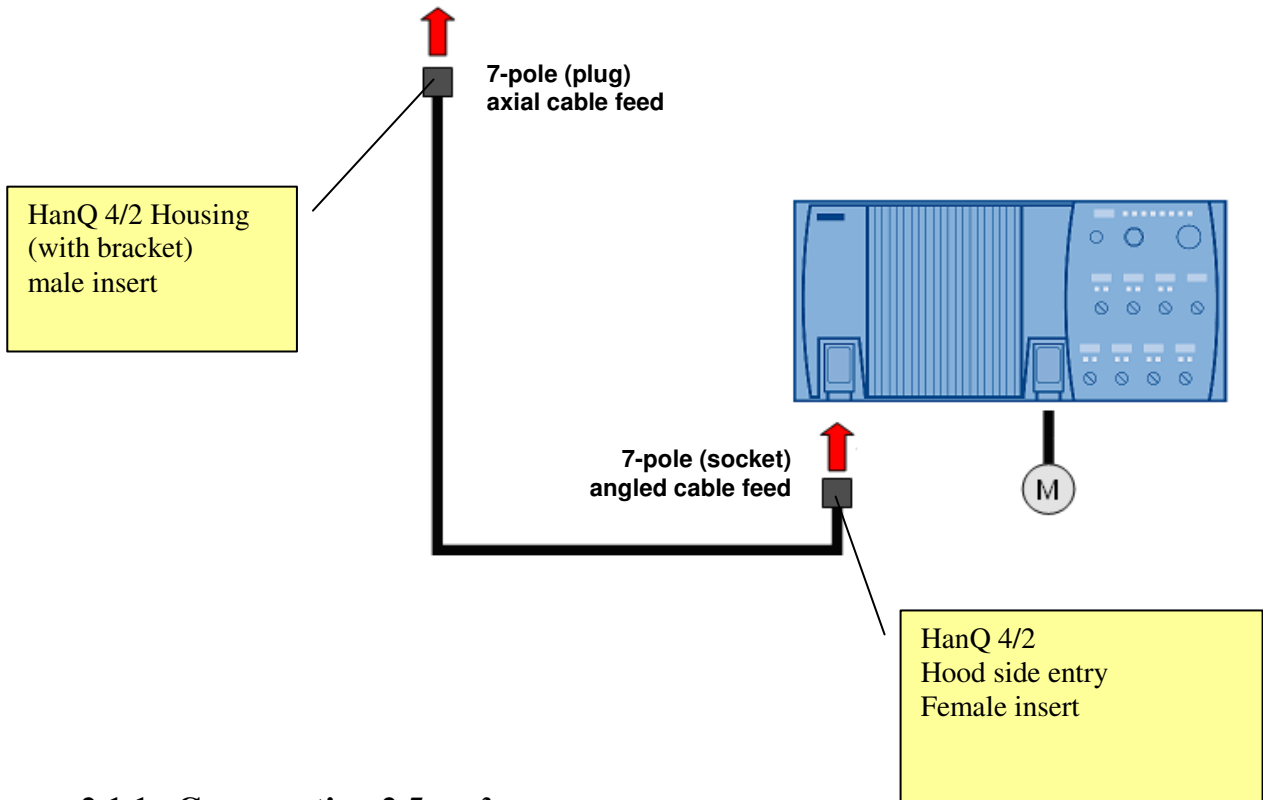
| Order number | Description | UPE € |
|--------------------|--|--------|
| HTG:61 88 600 0107 | Power bus cable, 5x4mm² Length 50m | 312,02 |
| HTG:61 88 600 0108 | Length 100m | 609,03 |
| on request | Length >100m | |

1.6 Power bus cables (sold by ring) 6mm²

| Order number | Description | UPE € |
|--------------------|--|--------|
| HTG:61 88 600 0113 | Power bus cable, 5x6mm² Length 50m | 450,37 |
| HTG:61 88 600 0114 | Length 100m | 885,77 |
| on request | Length >100m | |

2 Power – Cable

2.1 Power cables for frequency converter, prefabricated



2.1.1 Cross section 2,5mm²

| Order number | Description | UPE € |
|--------------------|--|-------|
| HTG:61 88 202 0400 | Power cable MS for ET 200pro, ECOFAST HAN Q4/2 top entry - HAN Q4/2 side entry 4x2,5mm ² Length 1,5m | 43,93 |
| HTG:61 88 202 0401 | Length 3m | 50,09 |
| HTG:61 88 202 0402 | Length 5m | 58,29 |
| HTG:61 88 202 0403 | Length 10m | 78,81 |



Pushing Performance

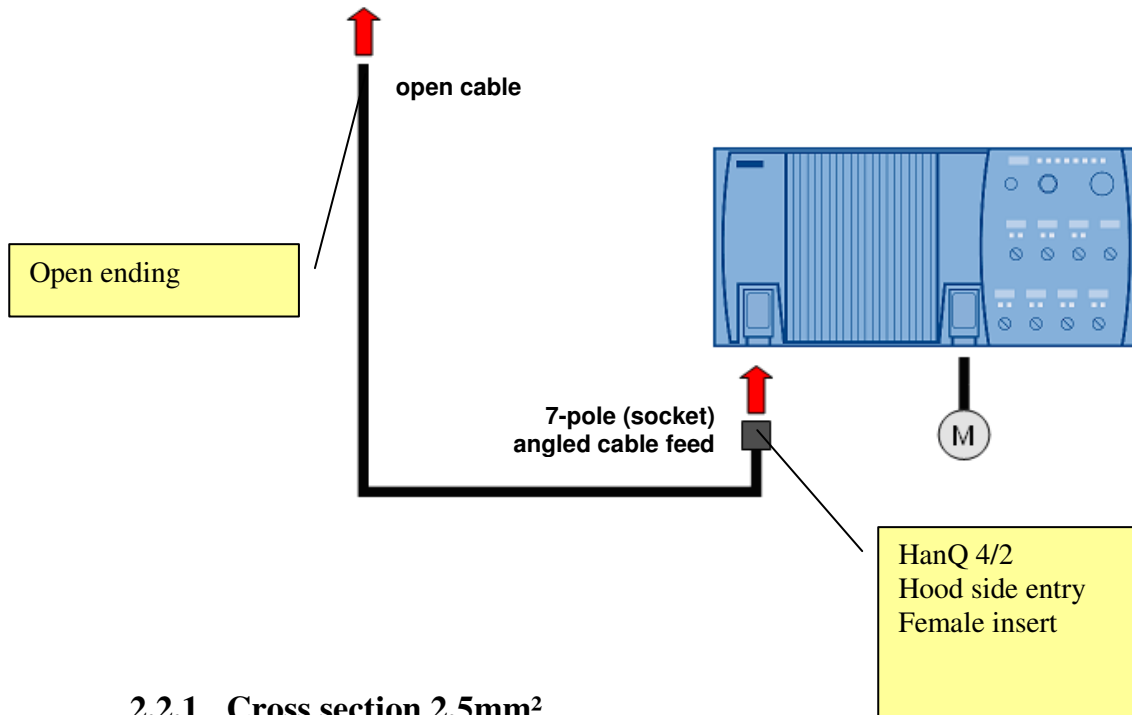
2.1.2 Cross section 4mm²

| Order number | Description | UPE € |
|--------------------|--|-------|
| HTG:61 88 202 0404 | Power cable MS for ET 200pro, ECOFAST HAN Q4/2 top entry - HAN Q4/2 side entry 4x4mm ² Length 1,5m | 46,91 |
| HTG:61 88 202 0405 | Length 3m | 55,86 |
| HTG:61 88 202 0406 | Length 5m | 67,76 |
| HTG:61 88 202 0407 | Length 10m | 97,57 |

2.1.3 Cross section 6mm²

| Order number | Description | UPE € |
|--------------------|--|--------|
| HTG:61 88 202 0408 | Power cable MS for ET 200pro, ECOFAST HAN Q4/2 top entry - HAN Q4/2 side entry 4x6mm ² Length 1,5m | 51,77 |
| HTG:61 88 202 0409 | Length 3m | 64,83 |
| HTG:61 88 202 0410 | Length 5m | 82,27 |
| HTG:61 88 202 0411 | Length 10m | 125,82 |

2.2 Power cables for frequency converter one-sided fabricated



2.2.1 Cross section 2,5mm²

| Order number | Description | UPE € |
|--------------------|---|-------|
| HTG:61 88 201 0192 | Power cable MS for ET 200pro, ECOFAST open - HAN Q4/2 side entry 4x2,5mm ² Length 1,5m | 25,63 |
| HTG:61 88 201 0193 | Length 3m | 31,57 |
| HTG:61 88 201 0194 | Length 5m | 39,78 |
| HTG:61 88 201 0195 | Length 10m | 60,28 |

2.2.2 Cross section 4mm²

| Order number | Description | UPE € |
|--------------------|---|-------|
| HTG:61 88 201 0196 | Power cable MS for ET 200pro, ECOFAST open - HAN Q4/2 side entry 4x4mm ² Length 1,5m | 27,88 |
| HTG:61 88 201 0197 | Length 3m | 34,94 |
| HTG:61 88 201 0198 | Length 5m | 44,67 |
| HTG:61 88 201 0199 | Length 10m | 69,02 |



Pushing Performance

2.2.3 Cross section 6mm²

| Order number | Description | UPE € |
|--------------------|--|-------|
| HTG:61 88 201 0200 | Power cable MS for ET 200pro, ECOFAST open - HAN Q4/2 side entry 4x6mm ² Length 1,5m | 31,59 |
| HTG:61 88 201 0201 | Length 3m | 42,02 |
| HTG:61 88 201 0202 | Length 5m | 56,40 |
| HTG:61 88 201 0203 | Length 10m | 92,31 |

2.3 Power cables (sold by meter) 2,5mm²

| Order number | Description | UPE € |
|--------------------|---|--------|
| HTG:61 88 600 0115 | Power cable 4x2,5mm ² Length 50m | 175,77 |
| HTG:61 88 600 0116 | Length 100m | 353,32 |
| on request | Length >100m | |

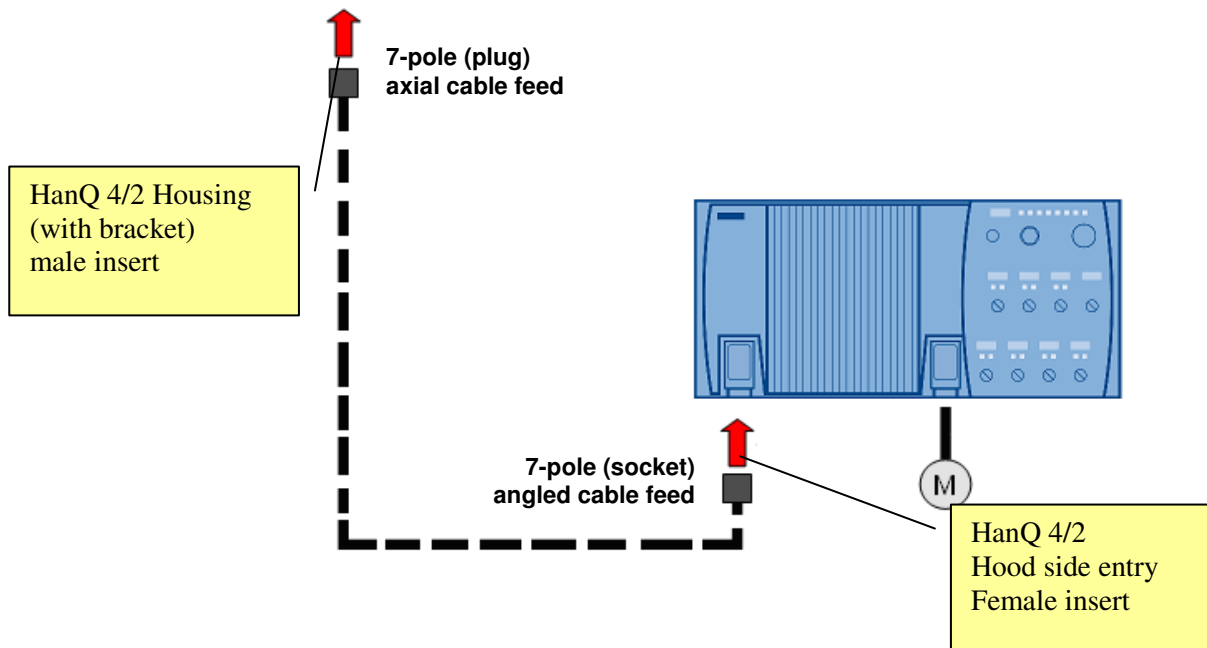
2.4 Power cables (sold by meter) 4mm²

| Order number | Description | UPE € |
|--------------------|---|--------|
| HTG:61 88 600 0117 | Power cable 4x4mm ² Length 50m | 241,79 |
| HTG:61 88 600 0118 | Length 100m | 468,64 |
| on request | Length >100m | |

2.5 Power cables (sold by meter) 6mm²

| Order number | Description | UPE € |
|--------------------|---|--------|
| HTG:61 88 600 0119 | Power cable 4x6mm ² Length 50m | 349,05 |
| HTG:61 88 600 0120 | Length 100m | 683,11 |
| on request | Length >100m | |

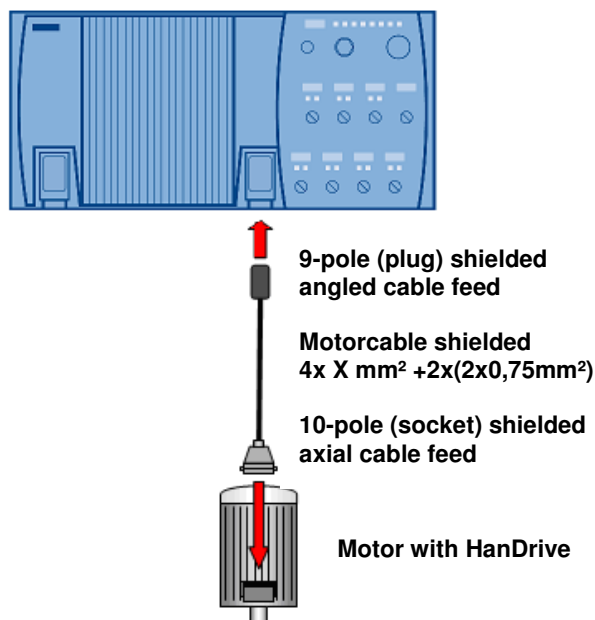
2.6 Sets of connectors for power cable



| Order number | Description | UPE € |
|--------------------|---|-------|
| HTG:61 04 401 0556 | Set of connectors for power cable e.g. for connection to T-terminal connector Consisting of Housing outgoing circuit top entry (with bracket) male insert for Han Q4/2 Gland for cable cross section 11,5-15,5 mm, UL 5 male contacts 4mm² | 13,18 |
| HTG:61 04 401 0545 | Gland for cable cross section 12-16,5mm 5 male contacts 6mm² | 13,18 |
| HTG:61 04 401 0550 | Set of connectors for power cable for connection to MS /RSM/G120D Hood outgoing circuit side-entry Female insert for Han Q4/2 Gland for cable cross section 11-15,5 mm, UL 5 female contacts 4mm² | 15,24 |
| HTG:61 04 401 0502 | Gland for cable cross section 12-16,5 mm 5 female contacts 6mm² | 15,24 |

3 Motor connection

3.1 Motor cable (shielded) for motors in star-connection with brake and temperature transmitter



3.1.1 Cross section 4x1,5mm² + 2x(2x0,75mm²)

| Order number | Description | UPE € |
|--------------------|---|--------|
| HTG:61 88 202 0499 | motor cable for FC, shielded star jumper, UL HAN Q8 - HAN 10E 4x1,5mm ² + 2x(2x0,75mm ²) Length 1,5m | 102,56 |
| HTG:61 88 202 0514 | Length 3m | 121,32 |
| HTG:61 88 202 0515 | Length 5m | 146,36 |

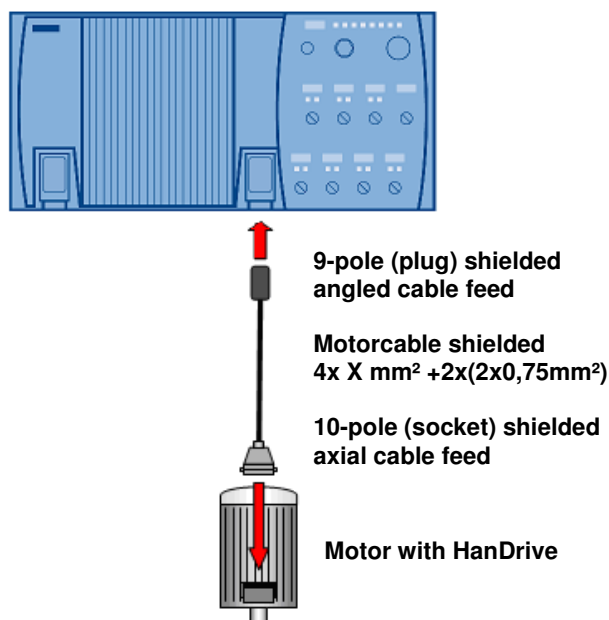
3.1.2 Cross section 4x2,5mm² + 2x(2x0,75mm²)

| Order number | Description | UPE € |
|--------------------|---|--------|
| HTG:61 88 202 0500 | motor cable for FC, shielded star jumper, UL HAN Q8 - HAN 10E 4x2,5mm ² + 2x(2x0,75mm ²) Length 1,5m | 105,53 |
| HTG:61 88 202 0520 | Length 3m | 124,86 |
| HTG:61 88 202 0521 | Length 5m | 150,64 |

3.1.3 Cross section $4 \times 4 \text{mm}^2 + (2 \times 1,0 \text{mm}^2 + 2 \times 1,5 \text{mm}^2)$

| Order number | Description | UPE € |
|--------------------|---|--------|
| HTG:61 88 202 0522 | motor cable for FC, shielded star jumper, UL HAN Q8 - HAN 10E $4 \times 4 \text{mm}^2 + (2 \times 1,0 \text{mm}^2 + 2 \times 1,5 \text{mm}^2)$ Length 1,5m | 133,98 |
| HTG:61 88 202 0523 | Length 3m | 153,41 |
| HTG:61 88 202 0524 | Length 5m | 179,17 |

3.2 Motor cable (shielded) for motors in delta connection with brake and temperature transmitter



3.2.1 Cross section $4 \times 1,5 \text{mm}^2 + 2 \times (2 \times 0,75 \text{mm}^2)$

| Order number | Description | UPE € |
|--------------------|--|--------|
| HTG:61 88 202 0525 | motor cable for FC, shielded triangular jumper, UL HAN Q8 - HAN 10E $4 \times 1,5 \text{mm}^2 + 2 \times (2 \times 0,75 \text{mm}^2)$ Length 1,5m | 102,98 |
| HTG:61 88 202 0526 | Length 3m | 121,84 |
| HTG:61 88 202 0527 | Length 5m | 146,78 |

3.2.2 Cross section 4x2,5mm² + 2x(2x0,75mm²)

| Order number | Description | UPE € |
|--------------------|--|--------|
| HTG61 88 202 0528 | motor cable for FC, shielded triangular jumper, UL HAN Q8 - HAN 10E 4x2,5mm ² + 2x(2x0,75mm ²) Length 1,5m | 105,95 |
| HTG:61 88 202 0529 | Length 3m | 125,28 |
| HTG:61 88 202 0530 | Length 5m | 151,06 |

3.2.3 Cross section 4x4mm² + (2x1,0mm² + 2x1,5mm²)

| Order number | Description | UPE € |
|--------------------|--|--------|
| HTG:61 88 202 0531 | motor cable for FC, shielded triangular jumper, UL HAN Q8 - HAN 10E 4x4mm ² + (2x1,0mm ² + 2x1,5mm ²) Length 1,5m | 167,89 |
| HTG:61 88 202 0532 | Length 3m | 196,88 |
| HTG:61 88 202 0533 | Length 5m | 230,16 |

3.2.4 Cross section 4x4mm² + (2x1,0mm² + 2x1,5mm²)

Adapter cable - 4mm² connection on 6mm² for UL-Norm

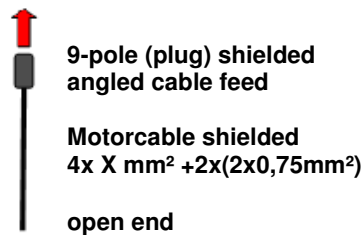
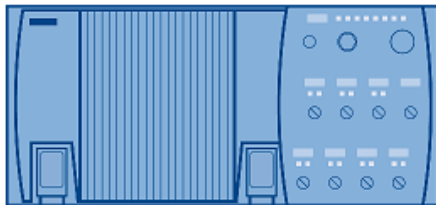
| Order number | Description | UPE € |
|--------------------|--|--------|
| HTG:61 88 202 0497 | motor cable for FC, shielded, UL HAN Q8 - HAN 10 modular 4x4mm ² + (2x1,0mm ² + 2x1,5mm ²) Length 0,3m | 153,27 |

3.2.5 Set of connectors for adapter cable

| Order number | Description | UPE € |
|--------------------|---|-------|
| HTG:61 83 401 0130 | Cross section 4x6 + (2x1,0mm ² + 2x1,5mm ²) HAN 10 modular, UL 4x Contacts 6mm ² + 2x Contacts 1,0mm ² + 2x Contacts 1,5mm ² Housing + Module male insert 4 pole +Module male insert 6pole | 72,06 |

3.3 Motor cable (shielded) for motors

3.3.1 Motor cable (shielded) for motors with brake and temperature transmitter, one-sided fabricated



3.3.1.1 Cross section 1,5mm²

| Order number | Description | UPE € |
|--------------------|--|--------|
| HTG:61 88 201 0288 | motor cable for FC, shielded HAN Q8 - open, UL 4x1,5mm ² + 2x(2x0,75mm ²) Length 1,5m | 73,65 |
| HTG:61 88 201 0289 | Length 3m | 93,36 |
| HTG:61 88 201 0290 | Length 5m | 116,71 |
| HTG:61 88 201 0299 | Length 10m | 177,34 |
| HTG:61 88 201 0300 | Length 15m | 237,98 |

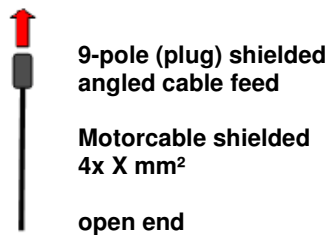
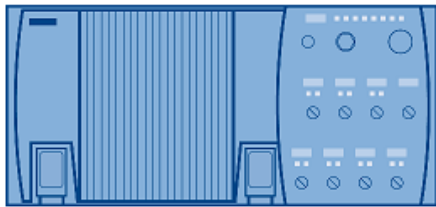
3.3.1.2 Cross section 2,5mm²

| Order number | Description | UPE € |
|--------------------|--|--------|
| HTG:61 88 201 0291 | motor cable for FC, shielded HAN Q8 - open, UL 4x2,5mm ² + 2x(2x0,75mm ²) Length 1,5m | 74,26 |
| HTG:61 88 201 0292 | Length 3m | 93,15 |
| HTG:61 88 201 0293 | Length 5m | 118,07 |
| HTG:61 88 201 0301 | Length 10m | 181,07 |
| HTG:61 88 201 0302 | Length 15m | 243,22 |

3.3.1.3 Cross section 4mm²

| Order number | Description | UPE € |
|--------------------|--|--------|
| HTG:61 88 201 0303 | motor cable for FC, shielded HAN Q8 - open, UL 4x4mm ² + (2x1,0mm ² + 2x1,5mm ²) Length 1,5m | 110,71 |
| HTG:61 88 201 0304 | Length 3m | 133,35 |
| HTG:61 88 201 0305 | Length 5m | 165,69 |
| HTG:61 88 201 0306 | Length 10m | 246,53 |
| HTG:61 88 201 0307 | Length 15m | 272,21 |

3.3.2 Motor cable (shielded) for motors, one-sided fabricated



3.3.2.1 Cross section 1,5mm²

| Order number | Description | UPE € |
|--------------------|---|--------|
| HTG:61 88 201 0350 | motor cable for FC, shielded HAN Q8 - open 4x1,5mm ² Length 1,5m | 63,79 |
| HTG:61 88 201 0351 | Length 3m | 78,97 |
| HTG:61 88 201 0352 | Length 5m | 100,93 |
| HTG:61 88 201 0353 | Length 10m | 153,13 |
| HTG:61 88 201 0354 | Length 15m | 205,33 |



3.3.2.2 Cross section 2,5mm²

| Order number | Description | UPE € |
|--------------------|---|--------|
| HTG:61 88 201 0355 | motor cable for FC, shielded HAN Q8 - open 4x2,5mm ² Length 1,5m | 65,64 |
| HTG:61 88 201 0356 | Length 3m | 83,23 |
| HTG:61 88 201 0357 | Length 5m | 106,43 |
| HTG:61 88 201 0358 | Length 10m | 165,14 |
| HTG:61 88 201 0359 | Length 15m | 227,93 |

3.3.2.3 Cross section 4mm²

| Order number | Description | UPE € |
|--------------------|---|--------|
| HTG:61 88 201 0360 | motor cable for FC, shielded HAN Q8 - open 4x4mm ² Length 1,5m | 99,69 |
| HTG:61 88 201 0361 | Length 3m | 118,62 |
| HTG:61 88 201 0362 | Length 5m | 146,04 |
| HTG:61 88 201 0363 | Length 10m | 214,57 |
| HTG:61 88 201 0364 | Length 15m | 227,93 |

3.4 motor cable 4x1,5mm² + 2x(2x0,75mm²) sold by ring

| Order number | Description | UPE € |
|--------------------|---|--------|
| HTG:61 88 601 0004 | motor cable sold by meter, shielded, UL 4x1,5mm ² + 2x(2x0,75mm ²) Length 10m | 136,24 |
| HTG:61 88 601 0005 | Length 50m | 621,32 |

3.4.1 motor cable 4x1,5mm² (sold by ring)

| Order number | Description | UPE € |
|--------------------|--|--------|
| HTG:61 88 601 0010 | motor cable sold by meter, shielded, UL 4x1,5mm ² Length 10m | 119,37 |
| HTG:61 88 601 0011 | Length 50m | 536,95 |



3.5 Motor cable 4x2,5mm² + 2x(2x0,75mm²) sold by ring

| Order number | Description | UPE € |
|--------------------|---|--------|
| HTG:61 88 601 0006 | motor cable sold by meter, shielded, UL 4x2,5mm ² + 2x(2x0,75mm ²) Length 10m | 140,14 |
| HTG:61 88 601 0007 | Length 50m | 640,77 |

3.5.1 Motor cable 4x2,5mm² (sold by ring)

| Order number | Description | UPE € |
|--------------------|--|--------|
| HTG:61 88 601 0012 | motor cable sold by meter, shielded, UL 4x2,5mm ² Length 10m | 131,54 |
| HTG:61 88 601 0013 | Length 50m | 597,80 |

3.6 Motor cable 4x4mm² + (2x1,0mm² + 2x1,5mm²) sold by ring

| Order number | Description | UPE € |
|--------------------|---|---------|
| HTG:61 88 601 0008 | motor cable sold by meter, shielded, UL 4x4mm ² + (2x1,0mm ² + 2x1,5mm ²) Length 10m | 214,69 |
| HTG:61 88 601 0009 | Length 50m | 1034,52 |

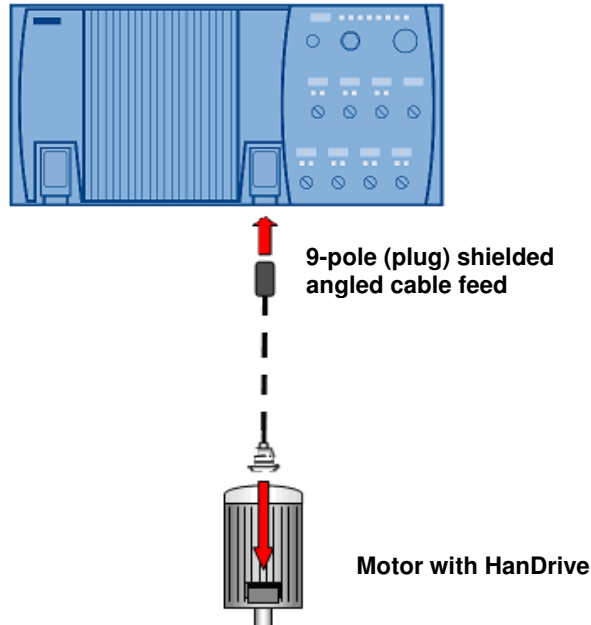
3.6.1 Motor cable 4x4mm² (sold by ring)

| Order number | Description | UPE € |
|--------------------|--|--------|
| HTG:61 88 601 0014 | motor cable sold by meter, shielded, UL 4x4mm ² Length 10m | 190,07 |
| HTG:61 88 601 0015 | Length 50m | 911,38 |

3.7 Motor cable 4x6mm² + (2x1,0mm² + 2x 1,5mm²) sold by ring UL-Norm – adapter cable

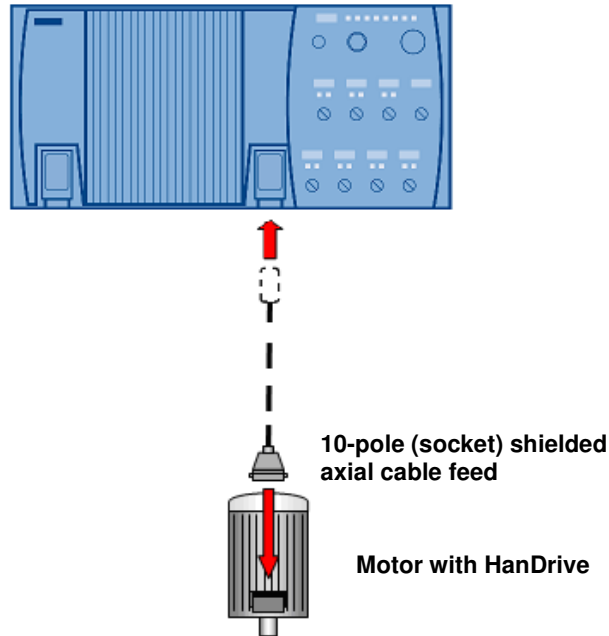
| Order number | Description | UPE € |
|--------------------|---|---------|
| HTG:61 88 601 0016 | motor cable sold by meter, shielded, UL 4x6mm ² + (2x1,0mm ² + 2x1,5mm ²) Length 10m | 255,17 |
| HTG:61 88 601 0017 | Length 50m | 1249,57 |

3.8 Sets of connectors (shielded) for motor connection cable on the side of the converter



| Order number | Description | UPE € |
|--------------------|---|-------|
| HTG:61 83 401 0131 | Set of connectors (shielded) for motor cable for connection to FC, UL Hood with side-entry male insert for Han Q8/0 Gland for cable cross section 10-13 mm 8 male contacts (4x1,5mm²+4x0,75 mm²) | 28,07 |
| HTG:61 83 401 0132 | Gland for cable cross section 11-14 mm 8 male contacts (4x2,5mm²+4x0,75mm²) | 28,07 |
| HTG:61 83 401 0133 | Gland for cable cross section 13-18 mm 8 male contacts (4x4mm²+4x1,0 mm²) | 55,73 |

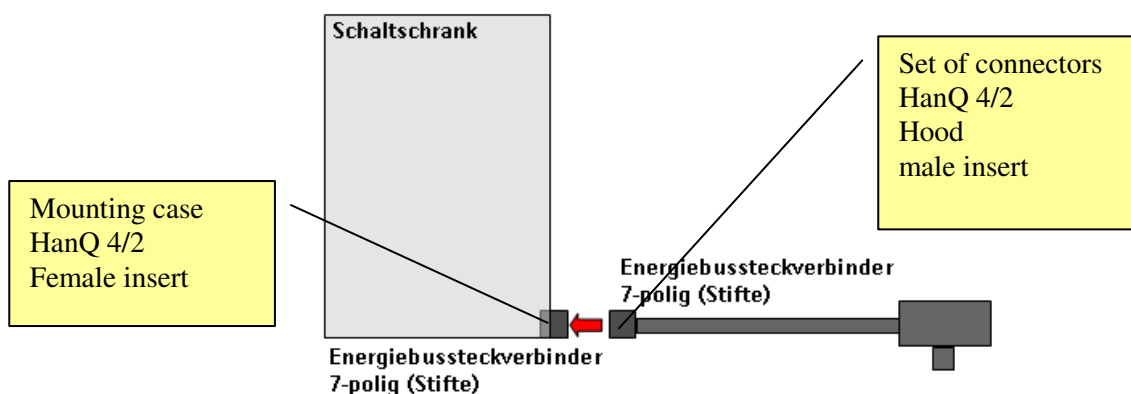
3.9 Set of connectors (shielded) for motor connection cable on the side of the motor



| Order number | Description | UPE € |
|--------------------|--|-------|
| HTG:61 83 401 0120 | Set of connectors (shielded) for motor cable for connection at motor, UL Star jumper Hood Female insert for Han 10e Gland for cable cross section 10 –14 mm 7 female contacts (3x1,5mm²+4x0,75mm²) | 34,52 |
| HTG:61 83 401 0121 | 7 female contacts (3x 2,5mm²+4x0,75 mm²) | 34,52 |
| HTG:61 83 401 0122 | Gland for cable cross section 12-18 mm ² 7 female contacts (3x4mm²+4x1,0mm²) | 55,71 |
| HTG:61 83 401 0123 | Set of connectors (shielded) for motor cable for connection to motor, UL Triangular jumper Hood Female insert for Han 10e Gland for cable cross section 10 –14 mm 10 female contacts (3x1,5mm²+3x3mm²+4x0,75mm²) | 34,27 |
| HTG:61 83 401 0124 | 10 female contacts (3x2,5mm²+3x4mm²+4x0,75mm²) | 34,27 |
| HTG:61 83 401 0125 | Gland for cable cross section 12-18 mm 10 female contacts(3x 4mm²x3x2,5 mm²+4x1,0mm²) | 54,35 |

4 Accessories

4.1 Set of connectors for power bus at connection switchgear / subdistributor



| Order number | Description | UPE € |
|--------------------|--|-------|
| HTG: on request | Mounting case Consisting of housing (with bracket) Set of female inserts for Han Q4/2, UL 5 female contacts 4mm² | |
| HTG:61 88 201 0051 | 5 female contacts 6mm² | 70,64 |

| Order number | Description | UPE € |
|--------------------|---|-------|
| HTG:61 83 401 0126 | Set of connectors Hood, outgoing circuit, top-entry male insert for Han Q4/2, UL Gland for cable cross section 11 – 15,5 mm 5 male contacts 4mm² | 19,47 |
| HTG:61 83 401 0127 | Gland for cable cross section 12-16,5 mm ² 5 male contacts 6mm² | 19,47 |
| HTG:61 83 401 0128 | Set of connectors Hood outgoing circuit side-entry male insert for Han Q4/2, UL Gland for cable cross section 11,5 – 15,5 mm 5 male contacts 4mm² | 19,05 |
| HTG:61 83 401 0129 | 12 – 16,5mm 5 male contacts 6mm² | 19,05 |



Pushing Performance

4.2 Protection cover

| Order number | Description | UPE € |
|--------------------|--|-------|
| HTG:09 12 008 5407 | Protection cover Han Q4/2 and Q8/0 for housing | 6,39 |
| HTG:61 83 401 0070 | Protection cover with bracket for Han Q4/2 and Q8/0 Hood/Power T | 5,17 |
| HTG:09 30 010 5432 | Protection cover Han 10e for Hood (with bracket) | 22,92 |

4.3 Crimping tool

| Order number | Description | UPE € |
|--------------------|---|--------|
| HTG:09 99 000 0303 | Crimping tool for Han Q4/2 for Cross sections from 1,5mm² up to 6mm² | 307,06 |
| HTG:09 99 000 0110 | Crimping tool for Han Q8/0 for Cross sections from 1,5mm² up to 6mm² | 382,52 |
| HTG:09 99 000 0110 | Crimping tool for Han 10e for Cross sections from 1,5mm² up to 2,5mm² | 382,52 |

4.4 Dismantle tools for male and female inserts

| Order number | Description | UPE € |
|--------------------|--|-------|
| HTG:09 99 000 0305 | Dismantle tool for Han Q4/2 for Cross sections from 1,5mm² up to 6mm² | 9,69 |
| HTG:09 99 000 0319 | Dismantle tool for Han Q8/0 for Cross sections from 1,5mm² up to 6mm² | 17,19 |
| HTG:09 99 000 0319 | Dismantle tool for Han 10e for Cross sections from 1,5mm² up to 2,5mm² | 17,19 |

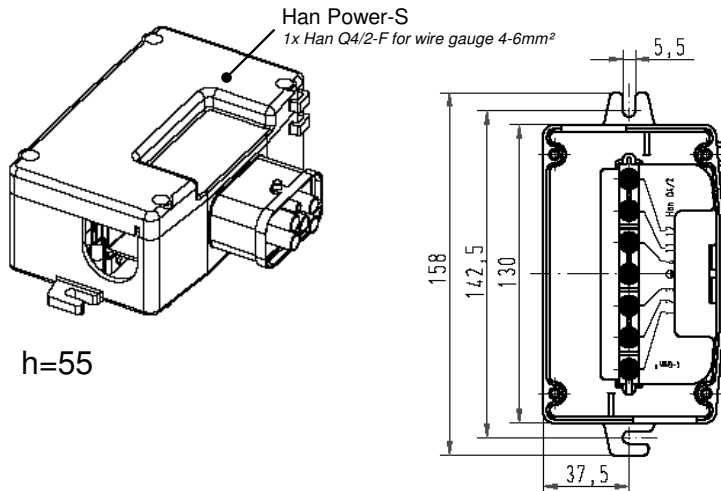
SINAMICS G120D

Ergänzungsprodukte (Supplementary products) Technische Daten / Technical Data



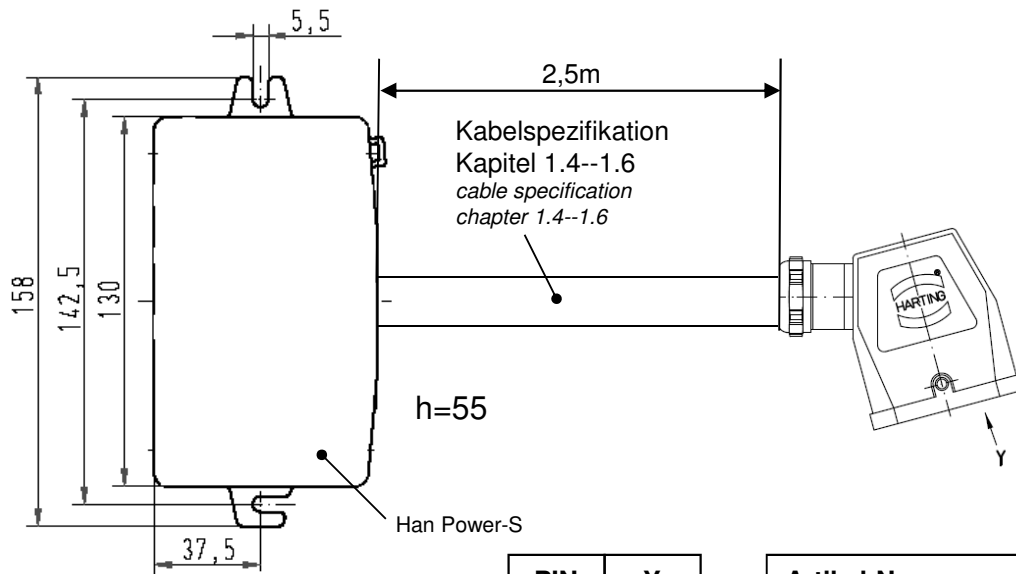
SINAMICS G120D

1.1 Energie T-Klemmverbinder / Energy T-terminal connector



| Artikel-Nr. Part No. | Querschnitt Wire gauge |
|-------------------------|---------------------------|
| HTG: 61 88 201 0500 | 2,5-4mm ² |
| HTG: 61 88 201 0501 | 4-6mm ² |

| PIN | |
|-----|----|
| 1 | L1 |
| 2 | L2 |
| 3 | L3 |
| 4 | N |
| 11 | - |
| 12 | - |
| ⊕ | PE |



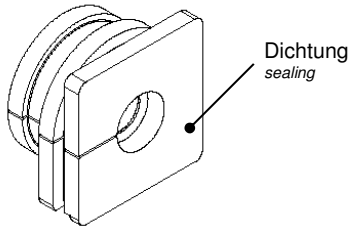
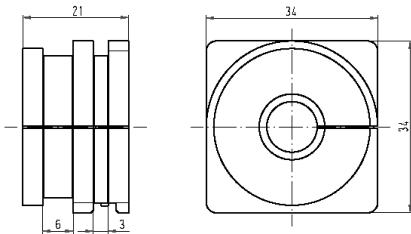
| PIN | Y |
|-----|----|
| 1 | L1 |
| 2 | L2 |
| 3 | L3 |
| 4 | N |
| 11 | - |
| 12 | - |
| ⊕ | PE |

| Artikel-Nr. Part No. | Querschnitt Wire gauge |
|-------------------------|---------------------------|
| HTG:61 88 201 0502 | 5x2,5mm ² |
| HTG:61 88 201 0503 | 5x4mm ² |
| HTG:61 88 201 0504 | 5x6mm ² |

Solution Partner
 Automation **SIEMENS**

SINAMICS G120D

1.1 Energie T-Klemmverbinder / Energy T-terminal connector

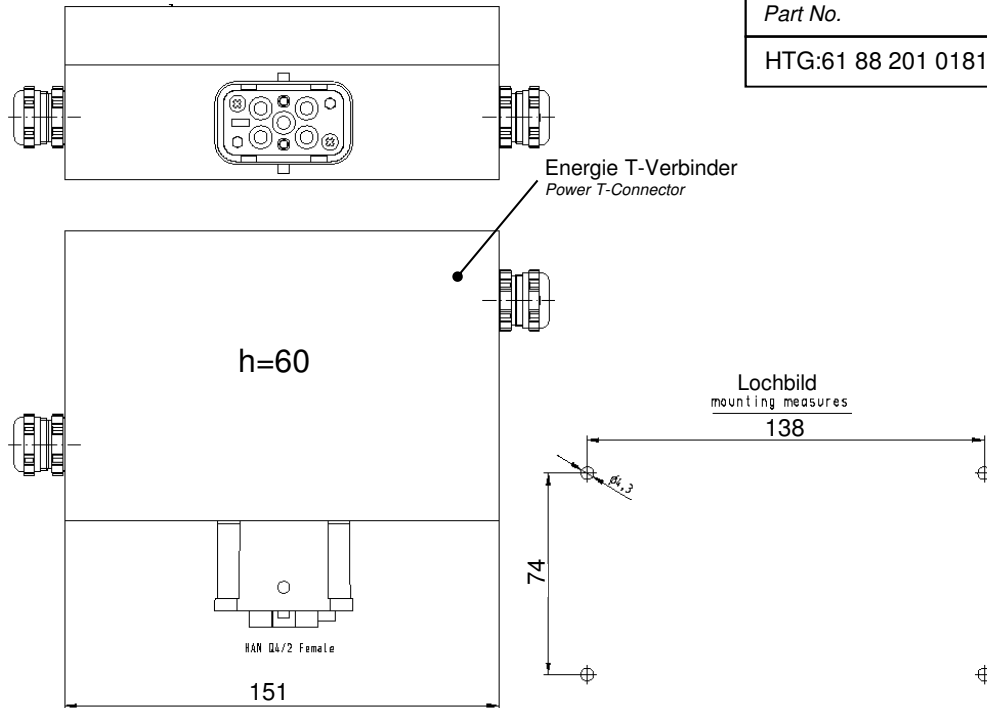


| Artikel-Nr. <i>Part No.</i> | Kabel Ø <i>Cable Ø</i> | VPE/Satz <i>Packaging unit</i> |
|--------------------------------|--------------------------------------|-----------------------------------|
| HTG:61 83 401 0200 | 10-13mm | 2 |
| HTG:61 83 401 0201 | 13-16mm | 2 |
| HTG:61 83 401 0202 | 16-19mm | 2 |
| HTG:61 83 401 0203 | 19-22mm | 2 |
| HTG:61 83 401 0204 | Blindstopfen <i>Blind grommet</i> | 1 |

SINAMICS G120D

1.2 Energie T-Verbinder für Powerbus max. 25mm²

Power T-connector for power max. 25mm²

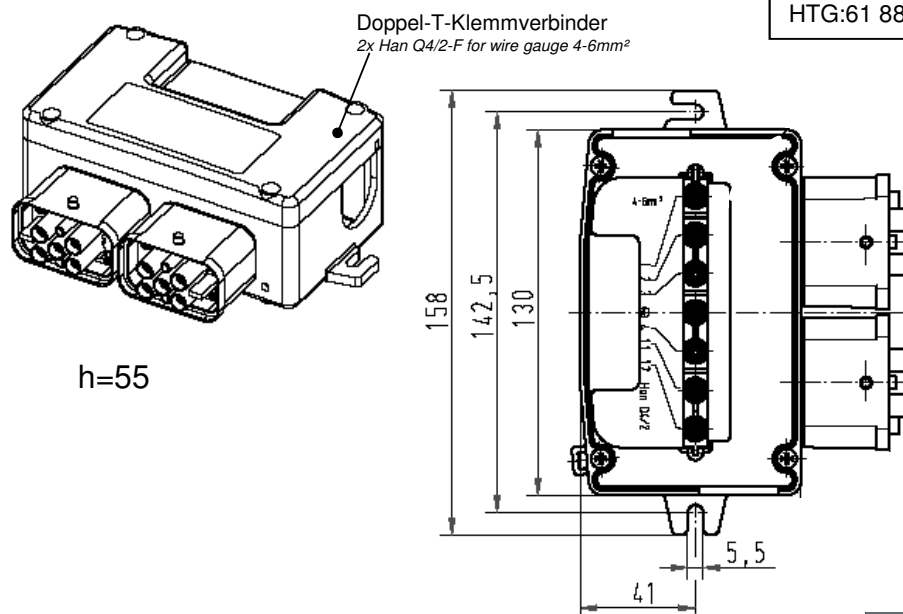


| Artikel-Nr. Part No. | Querschnitt Wire gauge |
|-------------------------|---------------------------|
| HTG:61 88 201 0181 | 4-6mm ² |

| PIN | |
|-----|----|
| 1 | L1 |
| 2 | L2 |
| 3 | L3 |
| 4 | N |
| 11 | - |
| 12 | - |
| | PE |

1.3 Energie Doppel-T-Klemmverbinder

Power double T-terminal connector



| Artikel-Nr. Part No. | Querschnitt Wire gauge |
|-------------------------|---------------------------|
| HTG:61 88 202 0770 | 4-6mm ² |

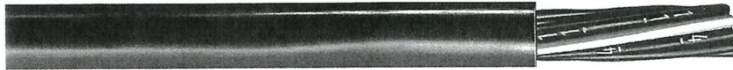
| PIN | |
|-----|----|
| 1 | L1 |
| 2 | L2 |
| 3 | L3 |
| 4 | N |
| 11 | - |
| 12 | - |
| | PE |

Solution Partner
 Automation **SIEMENS**

SINAMICS G120D

1.6 Energiebusleitungen (Ringware) 2,5mm²

Power bus cable (sold by ring) 2,5mm²



5 x 2,5mm²

| Artikel-Nr. <i>Part No.</i> | Länge <i>length</i> | VPE <i>Packaging unit</i> |
|----------------------------------|------------------------|------------------------------|
| HTG:61 88 600 0101 | 50m | 1 |
| HTG:61 88 600 0102 | 100m | 1 |
| auf Anfrage <i>on request</i> | >100m | 1 |

| Anwendung |
|---|
| <p>Verwendung als Energie- oder Verbindungsleitung, als Meß-, Kontroll- und Steuerleitung im Werkzeugmaschinenbau, Anlagenbau, an Fließbändern und Fertigungsstraßen.</p> <p>Geeignet für feste Verlegung oder flexible Anwendungen bei freier Bewegung ohne zwangsweise Bewegungsführung und ohne Zugbeanspruchung, in trockenen und feuchten Räumen, im Freien fest verlegt unter Beachtung des Temperaturbereichs. Keine Anwendung im Wasser oder in der Erde.</p> |

| Applications |
|--|
| <p><i>Used as emergy or connecting cable, as measuring, checking and control cable in machine tool manufacturing and on assembly lines and production lines. Suitable for fixed intallation with unrestricted mobility without forced movement control and without exosure to tensile load. Installation in dry and moist rooms. If you use it outside look at the temperature range.</i></p> <p><i>Could not be used in water or in the ground.</i></p> |

| Aufbau/design | Elektrische und technische Daten <i>/electrical and technical date</i> |
|---|---|
| <ul style="list-style-type: none"> -blanke Cu-Litze, feindrähtig <i>/stranded bare conductor made of Cu</i> -Litzenaufbau nach VDE 0295, Klasse 5 bzw. IEC 60228 cl.5 <i>/strand structure according to VDE 0295, class 5 + IEC 60228 class 5 +</i> -Adern spezial PVC <i>/core insulation: special PVC</i> - schwarze Adern mit fortl, weißem Ziffernaufdruck / <i>black cores with white printed consecutive number coding</i> -Schutzleiter grüngelb <i>/green-yellow protective conductor</i> -Lagenverseilung / <i>cores twisted in layers</i> -Außenmantel: spezial PVC, flammwidrig und UV-beständig <i>/outer sheath: special PVC, flame retardant and UV-resistance</i> -Mantelfarbe schwarz RAL 9005 <i>/core-colour black RAL 9005</i> | <ul style="list-style-type: none"> Nennspannung / rated voltage : Uo/U 300/500V Prüfspannung / test voltage : mind. 2000V Isolationswiderstand / leakage resistance : >20MΩm x km Biegeradius / bending radius : ca. 15x Kabeldurchmesser approx. 7,5x cable diam Temperaturbereich / temperature range : bewegt - 5°C bis +70°C /moved unbewegt -30°C bis +70°C /unmoved Brandfortleitung /Flammwidrigkeit: gem. VDE 0472 Teil 804, Prüffart B und IEC 332-1 / fire performance according to IEC 60332-1 to DIN VDE 0472 part 804 |

| |
|---|
| Solution Partner |
| Automation SIEMENS |

SINAMICS G120D

1.7 Energiebusleitungen (Ringware) 4mm²

Power bus cable (sold by ring) 4mm²



5 x 4mm²

| Artikel-Nr. Part No. | Länge length | VPE Packaging unit |
|---------------------------|-----------------|-----------------------|
| HTG:61 88 600 0107 | 50m | 1 |
| HTG:61 88 600 0108 | 100m | 1 |
| auf Anfrage on request | >100m | 1 |

Anwendung

Verwendung als Energie- oder Verbindungsleitung, als Meß-, Kontroll- und Steuerleitung im Werkzeugmaschinenbau, Anlagenbau, an Fließbändern und Fertigungsstraßen.

Geeignet für feste Verlegung oder flexible Anwendungen bei freier Bewegung ohne zwangsweise Bewegungsführung und ohne Zugbeanspruchung, in trockenen und feuchten Räumen, im Freien fest verlegt unter Beachtung des Temperaturbereichs. Keine Anwendung im Wasser oder in der Erde.

Applications

Used as energy or connecting cable, as measuring, checking and control cable in machine tool manufacturing and on assembly lines and production lines. Suitable for fixed intallation with unrestricted mobility without forced movement control and without exosure to tensile load. Installation in dry and moist rooms. If you use it outside look at the temperature range.

Could not be used in water or in the ground.

Aufbau/design

- blanke Cu-Litze, feindrähtig
/stranded bare conductor made of Cu
- Litzenaufbau nach VDE 0295, Klasse 5 bzw. IEC 60228 cl.5
/strand structure according to VDE 0295, class 5 + IEC 60228 class 5 +
- Adern spezial PVC
/core insulation: special PVC
- schwarze Adern mit fortl, weißem Ziffernaufdruck / *black cores with white printed consecutive number coding*
- Schutzleiter grünelb
/green-yellow protective conductor
- Lagenverseilung / *cores twisted in layers*
- Außenmantel: spezial PVC, flammwidrig und UV-beständig
/outer sheath: special PVC, flame retardant and UV-resistance
- Mantelfarbe schwarz RAL 9005
/core-colour black RAL 9005

Elektrische und technische Daten

/electrical and technical date

Nennspannung / rated voltage : Uo/U 300/500V
 Prüfspannung / test voltage : mind. 2000V
 Isolationswiderstand / leakage resistance : >20MΩm x km
 Biegeradius / bending radius : ca. 15x Kabeldurchmesser approx. 7,5x cable diam
 Temperaturbereich / temperature range :
 bewegt -5°C bis +70°C
 /moved
 unbewegt -30°C bis +70°C
 /unmoved
 Brandfortleitung /Flammwidrigkeit: gem. VDE 0472 Teil 804, Prüffart B und IEC 332-1 / fire performance according to IEC 60332-1 to DIN VDE 0472 part 804

Solution Partner

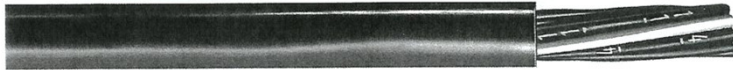
Automation

SIEMENS

SINAMICS G120D

1.8 Energiebusleitungen (Ringware) 6mm²

Power bus cable (sold by ring) 6mm²



5 x 6mm²

| Artikel-Nr. <i>Part No.</i> | Länge <i>length</i> | VPE <i>Packaging unit</i> |
|----------------------------------|------------------------|------------------------------|
| HTG:61 88 600 0113 | 50m | 1 |
| HTG:61 88 600 0114 | 100m | 1 |
| auf Anfrage <i>on request</i> | >100m | 1 |

| Anwendung |
|---|
| <p>Verwendung als Energie- oder Verbindungsleitung, als Meß-, Kontroll- und Steuerleitung im Werkzeugmaschinenbau, Anlagenbau, an Fließbändern und Fertigungsstraßen.</p> <p>Geeignet für feste Verlegung oder flexible Anwendungen bei freier Bewegung ohne zwangsweise Bewegungsführung und ohne Zugbeanspruchung, in trockenen und feuchten Räumen, im Freien fest verlegt unter Beachtung des Temperaturbereichs. Keine Anwendung im Wasser oder in der Erde.</p> |

| Applications |
|--|
| <p><i>Used as emergy or connecting cable, as measuring, checking and control cable in machine tool manufacturing and on assembly lines and production lines. Suitable for fixed intallation with unrestricted mobility without forced movement control and without exosure to tensile load. Installation in dry and moist rooms. If you use it outside look at the temperature range.</i></p> <p><i>Could not be used in water or in the ground.</i></p> |

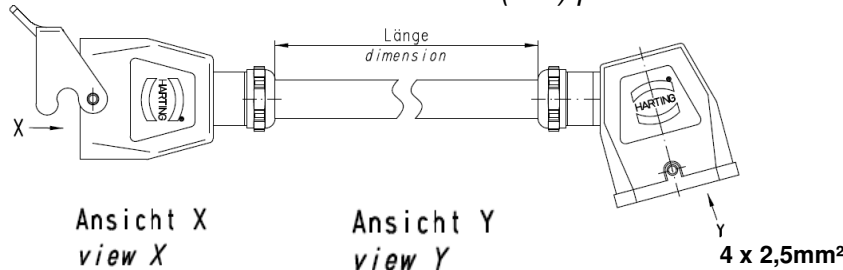
| Aufbau/design | Elektrische und technische Daten <i>/electrical and technical date</i> |
|---|---|
| <ul style="list-style-type: none"> -blanke Cu-Litze, feindrähtig <i>/stranded bare conductor made of Cu</i> -Litzenaufbau nach VDE 0295, Klasse 5 bzw. IEC 60228 cl.5 <i>/strand structure according to VDE 0295, class 5 + IEC 60228 class 5 +</i> -Adern spezial PVC <i>/core insulation: special PVC</i> - schwarze Adern mit fortl, weißem Zifferaufdruck / <i>black cores with white printed consecutive number coding</i> -Schutzleiter grünelb <i>/green-yellow protective conductor</i> -Lagenverseilung / <i>cores twisted in layers</i> -Außenmantel: spezial PVC, flammwidrig und UV-beständig <i>/outer sheath: special PVC, flame retardant and UV-resistance</i> -Mantelfarbe schwarz RAL 9005 <i>/core-colour black RAL 9005</i> | <ul style="list-style-type: none"> Nennspannung / rated voltage : Uo/U 300/500V Prüfspannung / test voltage : mind. 2000V Isolationswiderstand / leakage resistance : >20MΩm x km Biegeradius / bending radius : ca. 15x Kabeldurchmesser approx. 7,5x cable diam Temperaturbereich / temperature range : bewegt - 5°C bis +70°C /moved unbewegt -30°C bis +70°C /unmoved Brandfortleitung /Flammwidrigkeit: gem. VDE 0472 Teil 804, Prüffart B und IEC 332-1 / fire performance according to IEC 60332-1 to DIN VDE 0472 part 804 |

| |
|---|
| Solution Partner |
| Automation SIEMENS |

SINAMICS G120D

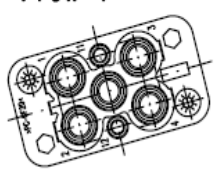
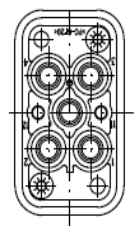
2.1 Energie Einspeiseleitung für Motorstarter (MS) konfektioniert

Power cables for motor starter (MS) prefabricated



Ansicht X
view X

Ansicht Y
view Y



4 x 2,5mm²

4 x 4,0mm²

4 x 6,0mm²

| Artikel-Nr. Part No. | Länge length |
|-------------------------|-----------------|
| HTG:61 88 202 0400 | 1,5m |
| HTG:61 88 202 0401 | 3,0m |
| HTG:61 88 202 0402 | 5,0m |
| HTG:61 88 202 0403 | 10,0m |

| Artikel-Nr. Part No. | Länge length |
|-------------------------|-----------------|
| HTG:61 88 202 0404 | 1,5m |
| HTG:61 88 202 0405 | 3,0m |
| HTG:61 88 202 0406 | 5,0m |
| HTG:61 88 202 0407 | 10,0m |

| Artikel-Nr. Part No. | Länge length |
|-------------------------|-----------------|
| HTG:61 88 202 0408 | 1,5m |
| HTG:61 88 202 0409 | 3,0m |
| HTG:61 88 202 0410 | 5,0m |
| HTG:61 88 202 0411 | 10,0m |

| PIN | X | Y |
|-----|----|----|
| 1 | L1 | L1 |
| 2 | L2 | L2 |
| 3 | L3 | L3 |
| | PE | PE |

| |
|---|
| H05VV5-F Aufbau/design |
|---|

| |
|--|
| Elektrische und technische Daten /electrical and technical data |
|--|

-blanke Cu-Litze, feindrähtig
 /stranded bare conductor made of Cu
 -Litzenaufbau nach VDE 0295, Klasse 5
 /stranded structure according to VDE 0295, class 5 + IEC 60228 class 5 + HD 383 CLASS 5
 -Adern PVC-isoliert
 /core insulation: PVC
 -Schutzleiter grüngelb
 /green-yellow protective conductor
 -Lagenverseilung
 /cores twisted in layers
 -Außenmantel:PVC, flammwidrig
 /outer jacket : PVC, flame retardant
 -Mantelfarbe schwarz 4G 2,5; 4,0; 6,0
 /outer jacket colour black 4G 2,5; 4,0; 6,0
 -Ölbeständig / oil-resistant

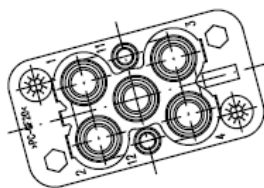
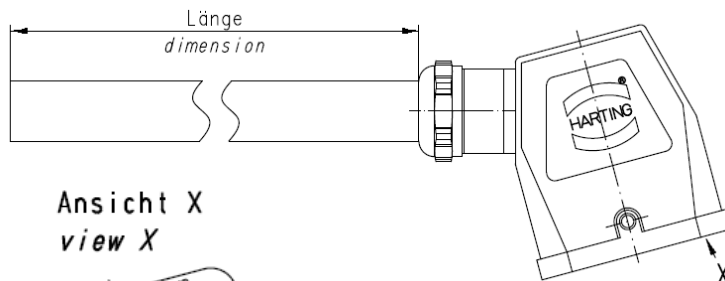
Nennspannung:
 /nominal voltage
 U₀/U 300/500V
 Prüfspannung: mind. 2000V
 /test voltage
 Isolationswiderstand: >20MΩ x km
 /leakage resistance
 Biegeradius: ca. 15x Kabeldurchmesser
 /bending radius approx. 15x cable diam
 Temperaturbereich:
 /temperature range
 bewegt - 5 °C bis +70 °C
 /moved
 unbewegt -30 °C bis +70 °C
 /unmoved
 Brandfortleitung /Flammwidrigkeit:
 gem. VDE 0472 Teil 804, Prüfmeth B und IEC 332-1
 /fire performance according to IEC 60332-1 to DIN VDE 0472 part 804

Variable Längen auf Anfrage
Variable lengths on request

| | |
|-------------------------------------|-----|
| Gehäuse/housing | |
| Werkstoff: | PC |
| /material | |
| Verriegelungselement: | PA |
| /interlock element | |
| Überwurfmutter PG 16 | |
| /lock nut | |
| Werkstoff: | PC |
| /material | |
| Dichteinsatz 9,0-13,0 rot | |
| /seal insert 9,0-13,0 red | |
| Dichteinsatz 11,0-15,5 weiß | |
| /seal insert 11,0-15,5 white | |
| Werkstoff: | TPE |
| /material | |

SINAMICS G120D

2.2 Energie Einspeiseleitung für Motorstarter (MS) einseitig konfektioniert / Power cables for motor starter (MS) one-sided prefabricated



| PIN | X | Ader core |
|-----|----|----------------|
| 1 | L1 | 1 |
| 2 | L2 | 2 |
| 3 | L3 | 3 |
| ⊕ | PE | gn/ge ye/gn |

4 x 2,5mm²

| Artikel-Nr. Part No. | Länge length |
|-------------------------|-----------------|
| HTG:61 88 201 0192 | 1,5m |
| HTG:61 88 201 0193 | 3,0m |
| HTG:61 88 201 0194 | 5,0m |
| HTG:61 88 201 0195 | 10,0m |

4 x 4,0mm²

| Artikel-Nr. Part No. | Länge length |
|-------------------------|-----------------|
| HTG:61 88 201 0196 | 1,5m |
| HTG:61 88 201 0197 | 3,0m |
| HTG:61 88 201 0198 | 5,0m |
| HTG:61 88 201 0199 | 10,0m |

4 x 6,0mm²

| Artikel-Nr. Part No. | Länge length |
|-------------------------|-----------------|
| HTG:61 88 201 0200 | 1,5m |
| HTG:61 88 201 0201 | 3,0m |
| HTG:61 88 201 0202 | 5,0m |
| HTG:61 88 201 0203 | 10,0m |

H05VV5-F

Aufbau/design

-blanke Cu-Litze, feindrähtig
 /stranded bare conductor made of
 Cu
 -Litzenaufbau nach VDE 0295, Klasse 5
 /stranded structure according
 to VDE 0295, class 5 + IEC 60228 class 5 +
 HD 383 CLASS 5
 -Adern PVC-isoliert
 /core insulation: PVC
 -Schutzleiter grüngelb
 /green-yellow protective conductor
 -Lagenverseilung
 /cores twisted in layers
 -Außenmantel:PVC, flammwidrig
 /outer jacket : PVC, flame retardant
 -Mantelfarbe schwarz 4G 2,5; 4,0; 6,0
 /outer jacket colour black 4G 2,5; 4,0; 6,0
 -Ölbeständig / oil-resistant

Elektrische und technische Daten

/electrical and technical data

Nennspannung:
 /nominal voltage
 U₀/U 300/500V
 Prüfspannung: mind. 2000V
 /test voltage
 Isolationswiderstand: >20MΩ x km
 /leakage resistance
 Biegeradius: ca. 15x Kabeldurchmesser
 /bending radius approx. 15x cable diam
 Temperaturbereich:
 /temperature range
 bewegt - 5 °C bis +70 °C
 /moved
 unbewegt -30 °C bis +70 °C
 /unmoved
 Brandfortleitung /Flammwidrigkeit:
 gem. VDE 0472 Teil 804, Prüfmeth B und IEC
 332-1
 /fire performance according to IEC 60332-1
 to DIN VDE 0472 part 804

Variable Längen auf Anfrage

Variable lengths on request

Gehäuse/housing

Werkstoff: PC

/material

Verriegelungselement: PA

/interlock element

Überwurfmutter PG 16

/lock nut

Werkstoff: PC

/material

Dichteinsatz 9,0-13,0 rot

/seal insert 9,0-13,0 red

Dichteinsatz 11,0-15,5 weiß

/seal insert 11,0-15,5 white

Werkstoff: TPE

/material

Solution Partner

Automation

SIEMENS

SINAMICS G120D

2.3 Energie-Einspeiseleitungen (Ringware) 2,5mm²

Power bus cable (sold by ring) 2,5mm²



4 x 2,5mm²

| Artikel-Nr. <i>Part No.</i> | Länge <i>length</i> | VPE <i>Packaging unit</i> |
|----------------------------------|------------------------|------------------------------|
| HTG:61 88 600 0115 | 50m | 1 |
| HTG:61 88 600 0116 | 100m | 1 |
| auf Anfrage <i>on request</i> | >100m | 1 |

| Anwendung |
|---|
| <p>Verwendung als Energie- oder Verbindungsleitung, als Meß-, Kontroll- und Steuerleitung im Werkzeugmaschinenbau, Anlagenbau, an Fließbändern und Fertigungsstraßen.</p> <p>Geeignet für feste Verlegung oder flexible Anwendungen bei freier Bewegung ohne zwangsweise Bewegungsführung und ohne Zugbeanspruchung, in trockenen und feuchten Räumen, im Freien fest verlegt unter Beachtung des Temperaturbereichs. Keine Anwendung im Wasser oder in der Erde.</p> |

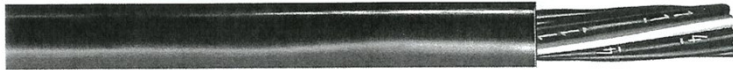
| Applications |
|--|
| <p><i>Used as emergy or connecting cable, as measuring, checking and control cable in machine tool manufacturing and on assembly lines and production lines. Suitable for fixed intallation with unrestricted mobility without forced movement control and without exosure to tensile load. Installation in dry and moist rooms. If you use it outside look at the temperature range.</i></p> <p><i>Could not be used in water or in the ground.</i></p> |

| Aufbau/design | Elektrische und technische Daten <i>/electrical and technical date</i> |
|--|---|
| <ul style="list-style-type: none"> -blanke Cu-Litze, feindrähtig <i>/stranded bare conductor made of Cu</i> -Litzenaufbau nach VDE 0295, Klasse 5 bzw. IEC 60228 cl.5 <i>/strand structure according to VDE 0295, class 5 + IEC 60228 class 5 +</i> -Adern spezial PVC <i>/core insulation: special PVC</i> - schwarze Adern mit fortl, weißem Ziffernaufdruck / <i>black cores with white printed consecutive number coding</i> -Schutzleiter grün-gelb <i>/green-yellow protective conductor</i> -Lagenverseilung / <i>cores twisted in layers</i> -Außenmantel: spezial PVC, flammwidrig und UV-beständig <i>/outer sheath: special PVC, flame retardant and UV-resistance</i> -Mantelfarbe schwarz RAL 9005 <i>/core-colour black RAL 9005</i> | <ul style="list-style-type: none"> Nennspannung / rated voltage : U_o/U 300/500V Prüfspannung / test voltage : mind. 2000V Isolationswiderstand / leakage resistance : >20MΩ x km Biegeradius / bending radius : ca. 15x Kabeldurchmesser approx. 7,5x cable diam Temperaturbereich / temperature range : bewegt - 5°C bis +70°C /moved unbewegt -30°C bis +70°C /unmoved Brandfortleitung /Flammwidrigkeit: gem. VDE 0472 Teil 804, Prüffart B und IEC 332-1 / fire performance according to IEC 60332-1 to DIN VDE 0472 part 804 |

SINAMICS G120D

2.4 Energie-Einspeiseleitungen (Ringware) 4mm²

Power bus cable (sold by ring) 4mm²



4 x 4mm²

| Artikel-Nr. <i>Part No.</i> | Länge <i>length</i> | VPE <i>Packaging unit</i> |
|----------------------------------|------------------------|------------------------------|
| HTG:61 88 600 0117 | 50m | 1 |
| HTG:61 88 600 0118 | 100m | 1 |
| auf Anfrage <i>on request</i> | >100m | 1 |

| Anwendung |
|---|
| <p>Verwendung als Energie- oder Verbindungsleitung, als Meß-, Kontroll- und Steuerleitung im Werkzeugmaschinenbau, Anlagenbau, an Fließbändern und Fertigungsstraßen.</p> <p>Geeignet für feste Verlegung oder flexible Anwendungen bei freier Bewegung ohne zwangsweise Bewegungsführung und ohne Zugbeanspruchung, in trockenen und feuchten Räumen, im Freien fest verlegt unter Beachtung des Temperaturbereichs. Keine Anwendung im Wasser oder in der Erde.</p> |

| Applications |
|--|
| <p><i>Used as emergy or connecting cable, as measuring, checking and control cable in machine tool manufacturing and on assembly lines and production lines. Suitable for fixed intallation with unrestricted mobility without forced movement control and without exosure to tensile load. Installation in dry and moist rooms. If you use it outside look at the temperature range.</i></p> <p><i>Could not be used in water or in the ground.</i></p> |

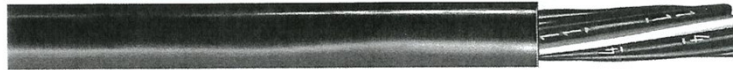
| Aufbau/design | Elektrische und technische Daten <i>/electrical and technical date</i> |
|--|---|
| <ul style="list-style-type: none"> -blanke Cu-Litze, feindrähtig <i>/stranded bare conductor made of Cu</i> -Litzenaufbau nach VDE 0295, Klasse 5 bzw. IEC 60228 cl.5 <i>/strand structure according to VDE 0295, class 5 + IEC 60228 class 5 +</i> -Adern spezial PVC <i>/core insulation: special PVC</i> - schwarze Adern mit fortl, weißem Ziffernaufdruck / <i>black cores with white printed consecutive number coding</i> -Schutzleiter grünelb <i>/green-yellow protective conductor</i> -Lagenverseilung / <i>cores twisted in layers</i> -Außenmantel: spezial PVC, flammwidrig und UV-beständig <i>/outer sheath: special PVC, flame retardant and UV-resistance</i> -Mantelfarbe schwarz RAL 9005 <i>/core-colour black RAL 9005</i> | <ul style="list-style-type: none"> Nennspannung / rated voltage : Uo/U 300/500V Prüfspannung / test voltage : mind. 2000V Isolationswiderstand / leakage resistance : >20MΩm x km Biegeradius / bending radius : ca. 15x Kabeldurchmesser approx. 7,5x cable diam Temperaturbereich / temperature range : bewegt - 5°C bis +70°C /moved unbewegt -30°C bis +70°C /unmoved Brandfortleitung /Flammwidrigkeit: gem. VDE 0472 Teil 804, Prüffart B und IEC 332-1 / fire performance according to IEC 60332-1 to DIN VDE 0472 part 804 |

| |
|---|
| Solution Partner |
| Automation SIEMENS |

SINAMICS G120D

2.5 Energie-Einspeiseleitungen (Ringware) 6mm²

Power bus cable (sold by ring) 6mm²



4 x 6mm²

| Artikel-Nr. <i>Part No.</i> | Länge <i>length</i> | VPE <i>Packaging unit</i> |
|----------------------------------|------------------------|------------------------------|
| HTG:61 88 600 0119 | 50m | 1 |
| HTG:61 88 600 0120 | 100m | 1 |
| auf Anfrage <i>on request</i> | >100m | 1 |

Anwendung

Verwendung als Energie- oder Verbindungsleitung, als Meß-, Kontroll- und Steuerleitung im Werkzeugmaschinenbau, Anlagenbau, an Fließbändern und Fertigungsstraßen.

Geeignet für feste Verlegung oder flexible Anwendungen bei freier Bewegung ohne zwangsweise Bewegungsführung und ohne Zugbeanspruchung, in trockenen und feuchten Räumen, im Freien fest verlegt unter Beachtung des Temperaturbereichs. Keine Anwendung im Wasser oder in der Erde.

Applications

Used as emergy or connecting cable, as measuring, checking and control cable in machine tool manufacturing and on assembly lines and production lines. Suitable for fixed intallation with unrestricted mobility without forced movement control and without exosure to tensile load. Installation in dry and moist rooms. If you use it outside look at the temperature range.

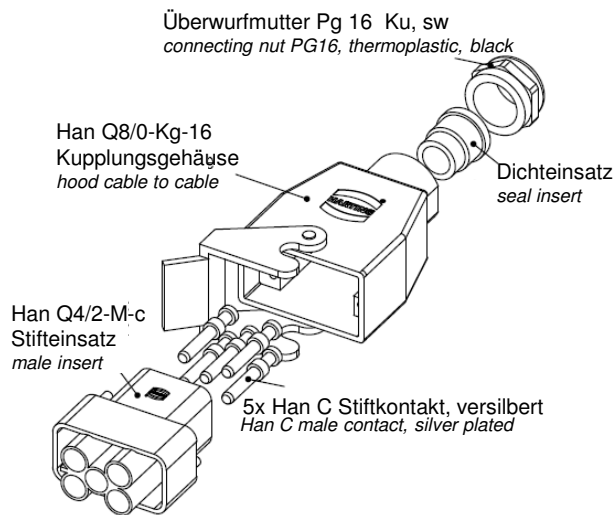
Could not be used in water or in the ground.

| Aufbau/ <i>design</i> | Elektrische und technische Daten <i>/electrical and technical date</i> |
|---|--|
| -blanke Cu-Litze, feindrätig <i>/stranded bare conductor made of Cu</i> -Litzenaufbau nach VDE 0295, Klasse 5 bzw. IEC 60228 cl.5 <i>/strand structure according to VDE 0295, class 5 + IEC 60228 class 5 +</i> -Adern spezial PVC <i>/core insulation: special PVC</i> - schwarze Adern mit fortl, weißem Ziffernaufdruck / <i>black cores with white printed consecutive number coding</i> -Schutzleiter grünelb <i>/green-yellow protective conductor</i> -Lagenverseilung / <i>cores twisted in layers</i> -Außenmantel: spezial PVC, flammwidrig und UV-beständig <i>/outer sheath: special PVC, flame retardant and UV-resistance</i> -Mantelfarbe schwarz RAL 9005 <i>/core-colour black RAL 9005</i> | Nennspannung / rated voltage : Uo/U 300/500V Prüfspannung / test voltage : mind. 2000V Isolationswiderstand / leakage resistance : >20MΩm x km Biegeradius / bending radius : ca. 15x Kabeldurchmesser approx. 7,5x cable diam Temperaturbereich / temperature range : bewegt - 5°C bis +70°C <i>/moved</i> unbewegt -30°C bis +70°C <i>/unmoved</i> Brandfortleitung /Flammwidrigkeit: gem. VDE 0472 Teil 804, Prüffart B und IEC 332-1 / fire performance according to IEC 60332-1 to DIN VDE 0472 part 804 |

| | |
|------------------|----------------|
| Solution Partner | SIEMENS |
| Automation | |

SINAMICS G120D

2.6 Steckersatz für Energie-Einspeiseleitung / Connector set for power cable

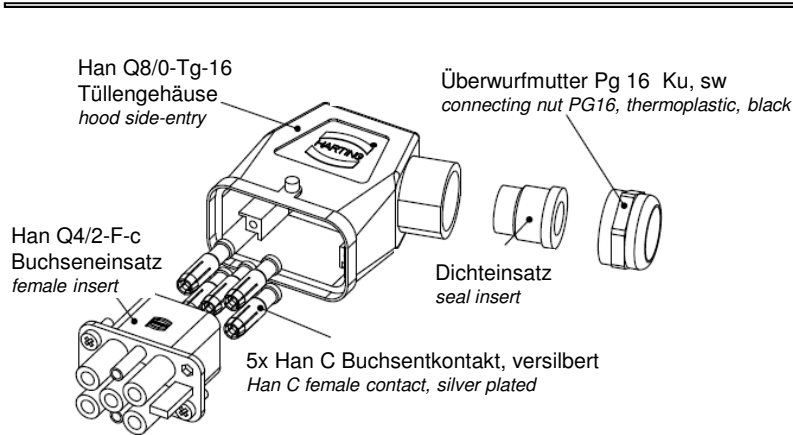


Stift-Stecker
Male insert

Crimpwerkzeug / Crimping tool

| | |
|--------------------|---|
| HTG:09 99 000 0110 | Han D Han E Han C 1,5-4mm ² |
| HTG:09 99 000 0303 | Han C 4-6mm ² |

| Artikel-Nr. Part No. | Querschnitt Wire gauge | Dichteinsatz seal insert |
|-------------------------|---------------------------|-----------------------------|
| HTG:61 04 401 0556 | 4,0mm ² | 11,5-15,5 weiß/white |
| HTG:61 04 401 0545 | 6,0mm ² | 12-16,5 natur/natur |



Buchsen-Stecker
Female insert

Crimpwerkzeug / Crimping tool

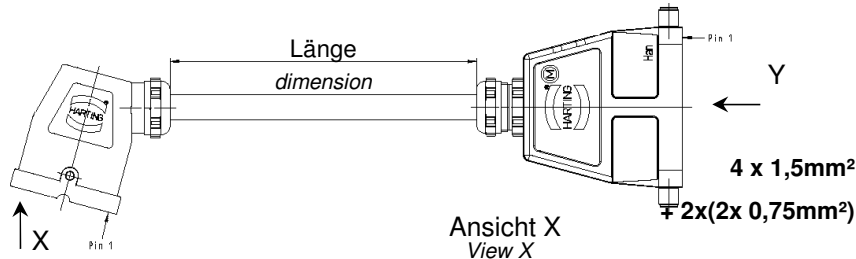
| | |
|--------------------|---|
| HTG:09 99 000 0110 | Han D Han E Han C 1,5-4mm ² |
| HTG:09 99 000 0303 | Han C 4-6mm ² |

| Artikel-Nr. Part No. | Querschnitt Wire gauge | Dichteinsatz seal insert |
|-------------------------|---------------------------|-----------------------------|
| HTG:61 04 401 0550 | 4,0mm ² | 11,5-15,5 weiß/white |
| HTG:61 04 401 0502 | 6,0mm ² | 12-16,5 natur/natur |

Solution Partner
Automation **SIEMENS**

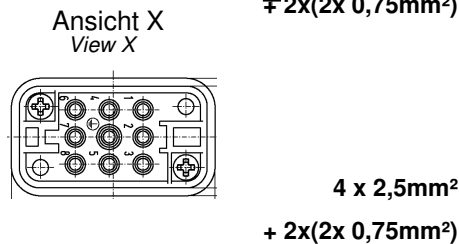
SINAMICS G120D

3.1 Motorleitung (geschirmt) für Motoren in Sternschaltung mit Bremse und Temperatugeber / Motor cable (screened) for motors with star connection with brakes and termic device



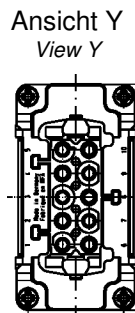
| Artikel-Nr. Part No. | Länge length |
|-------------------------|-----------------|
| HTG:61 88 202 0499 | 1,5m |
| HTG:61 88 202 0514 | 3,0m |
| HTG:61 88 202 0515 | 5,0m |

| PIN | X | Y |
|-----|--------|--------|
| 1 | U | U |
| 2 | - | V |
| 3 | W | W |
| 4 | Bremse | Bremse |
| 5 | Temp. | Bremse |
| 6 | Bremse | ● |
| 7 | V | ● |
| 8 | Temp. | ● |
| 9 | - | Temp. |
| 10 | - | Temp. |
| ⊕ | PE | PE |



| Artikel-Nr. Part No. | Länge length |
|-------------------------|-----------------|
| HTG:61 88 202 0500 | 1,5m |
| HTG:61 88 202 0520 | 3,0m |
| HTG:61 88 202 0521 | 5,0m |

Variable Längen auf Anfrage
 Variable lengths on request



Elektrische und technische Daten /electrical and technical data

| | |
|---|-----------------------------|
| Nennspannung /rated voltage : | |
| Leistungsadern : /power cores | U ₀ /U 600/1000V |
| Signaladern : /control cores | U ₀ /U 300V |
| Prüfspannung / test voltage: | |
| Leistungsadern : /power cores | 4000V |
| Signaladern : /control cores | 2000V |
| Isolationswiderstand / Leistungsadern : 20Mxkm /isolation resistance / power cores | |
| Biegeradius / bending radius : ca. 10x Kabel- ϕ | |
| Geschwindigkeit / speed : max. 180 m/min | |
| Beschleunigung / acceleration : max. 7m/s ² | |
| Zugfestigkeit : max. 50 N/mm ² / Admissible tensile load | |
| Temperaturbereich / temperature range : | |
| bewegt / moved : -30°C bis + 80°C | |
| unbewegt / unmoved : -50°C bis +90°C | |
| Ölbeständigkeit / oil resistance : | |
| VDE 0472 Teil / part 803 A/B | |
| Brandfortleitung / Flammwidrigkeit : /fire propagation / flame retardation | |
| VDE 0472 Teil A, IEC 332.2 | |
| VDE 0472 part 804, test method A, IEC 332-2 | |

Bremse-brake

| |
|--|
| Multiflex Servo |
| Aufbau |
| blanke Cu-Litze feinstdrähtig Litzenaufbau nach VDE 0295 Klasse 6 Aderisolation: TPE Aderkennzeichnung: -Leistungsadern: schwarz mit Ziffernaufdruck 1-3 -Schutzleiter grünelb -Signaladern: schwarz, mit Ziffernaufdruck 5-6 und 7-8, -2 Adern paarig verseilt mit einer kunststoffkaschierten Metallfolie als statischem Schirm und Cu-Geflechschirm, verzinkt Vlies Cu-Geflechschirm, verzinkt Außenmantel: Spezial-PUR, gleitfähig Mantelfarbe orange 2003 |

| |
|---|
| Gehäuse/housing |
| Werkstoff: ZN bzw. AL -Druckg. /material |
| Verschraubung : M 25 /screw |
| Überwurfmutter : M25 /lock nut |
| Werkstoff: MS /material |
| Dichteinsatz / seal insert |
| Werkstoff: TPE / Neopren /material |

| |
|---|
| Multiflex Servo |
| design |
| Stranded bare conductor made of Cu extra-fine wire Strand structure according to VDE 0295, class 6 TPE-insulated cores Core marking: -Power cores: black with printed number coding 1-3 -Protective conductor: green-yellow -Control cores: black, with printed number coding 5-6 and 7-8 -2 cores twisted in pairs with a static screen made of plastics laminated metal foil and a copper braided screen, tinned Fabric Tinned copper braided screening Outer sheath: special PUR, with sliding ability Sheath colour: orange, RAL 2003 |

| |
|------------------|
| Solution Partner |
| Automation |
| SIEMENS |

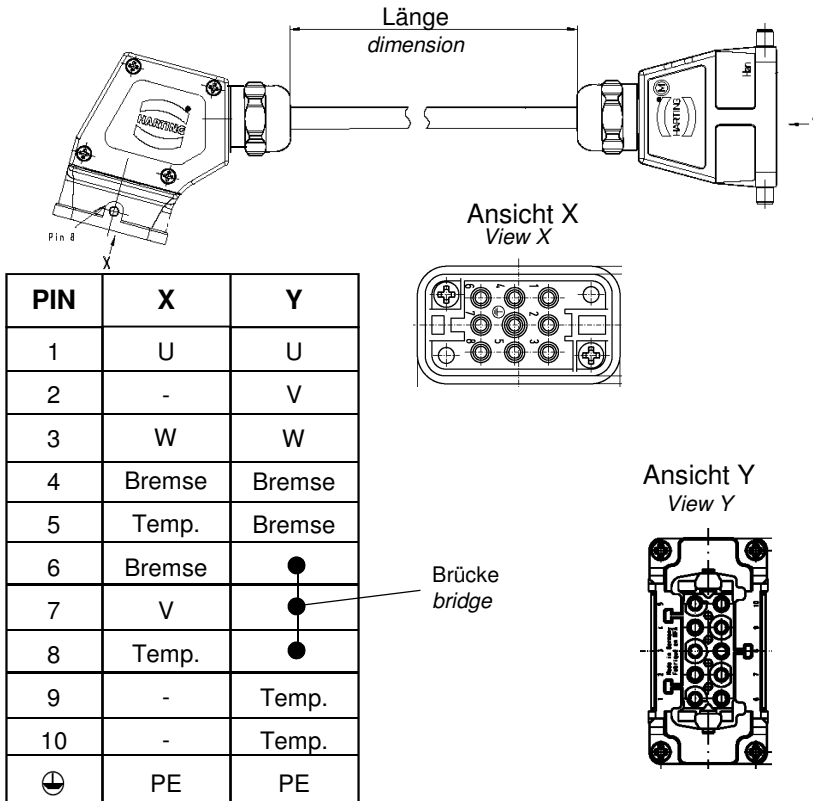
SINAMICS G120D

3.1 Motorleitung (geschirmt) für Motoren in Sternschaltung mit Bremse und Temperaturegeber / Motor cable (screened) for motors with star connection with brakes and termic device

4 x 4,0mm²
 + (2x 1,0mm² + 2x1,5mm²)

| Artikel-Nr. Part No. | Länge length |
|-------------------------|-----------------|
| HTG:61 88 202 0522 | 1,5m |
| HTG:61 88 202 0523 | 3,0m |
| HTG:61 88 202 0524 | 5,0m |

Variable Längen auf Anfrage
Variable lengths on request



| PIN | X | Y |
|-----|--------|--------|
| 1 | U | U |
| 2 | - | V |
| 3 | W | W |
| 4 | Bremse | Bremse |
| 5 | Temp. | Bremse |
| 6 | Bremse | ● |
| 7 | V | ● |
| 8 | Temp. | ● |
| 9 | - | Temp. |
| 10 | - | Temp. |
| ⊕ | PE | PE |

Brücke
 bridge

Elektrische und technische Daten /electrical and technical data

Nennspannung /rated voltage :
 Leistungsadern : U₀/U 600/1000V
 /power cores
 Signaladern : U₀/U 300V
 /control cores
 Prüfspannung / test voltage:
 Leistungsadern : 4000V
 /power cores
 Signaladern : 2000V
 /control cores
 Isolationswiderstand / Leistungsadern : 20Mxkm
 /isolation resistance / power cores
 Biegeradius / bending radius : ca. 10x Kabel- ϕ
 Geschwindigkeit / speed : max. 180 m/min
 Beschleunigung / acceleration : max. 7m/s²
 Zugfestigkeit : max. 50 N/mm²
 / Admissible tensile load
 Temperaturbereich / temperature range :
 bewegt / moved : -30°C bis +80°C
 unbewegt / unmoved : -50°C bis +90°C
 Ölbeständigkeit / oil resistance :
 VDE 0472 Teil / part 803 A/B
 Brandfortleitung / Flammwidrigkeit :
 /fire propagation / flame retardation
 VDE 0472 Teil A, IEC 332.2
 VDE 0472 part 804, test method A, IEC 332-2

Bremse-brake

Multiflex Servo

Aufbau

blanke Cu-Litze feinstdrähtig
 Litzenaufbau nach VDE 0295 Klasse 6 Aderisolation: TPE
 Aderkennzeichnung:
 -Leistungsadern: schwarz mit Ziffernaufdruck 1-3
 -Schutzleiter grün-gelb
 -Signaladern: schwarz, mit Ziffernaufdruck 5-6 und 7-8,
 -2 Adern paarig verseilt mit einer kunststoffkaschierten Metallfolie als
 statischem Schirm und Cu-Geflechschirm, verzinkt
 Vlies
 Cu-Geflechschirm, verzinkt
 Außenmantel: Spezial-PUR, gleitfähig Mantelfarbe orange 2003

Multiflex Servo

design

Stranded bare conductor made of Cu extra-fine wire
 Strand structure according to VDE 0295, class 6
 TPE-insulated cores
 Core marking:
 -Power cores: black with printed number coding 1-3
 -Protective conductor: green-yellow
 -Control cores: black, with printed number coding 5-6 and 7-8
 -2 cores twisted in pairs with a static screen made of plastics laminated
 metal foil and a copper braided screen, tinned
 Fabric
 Tinned copper braided screening
 Outer sheath: special PUR, with sliding ability
 Sheath colour: orange, RAL 2003

Gehäuse/housing

Werkstoff: ZN bzw. AL -Druckg.

/material

Verschraubung : M 25

/ screw

Werkstoff: MS

/material

Dichteinsatz / seal insert

Werkstoff: TPE / Neopren

/material

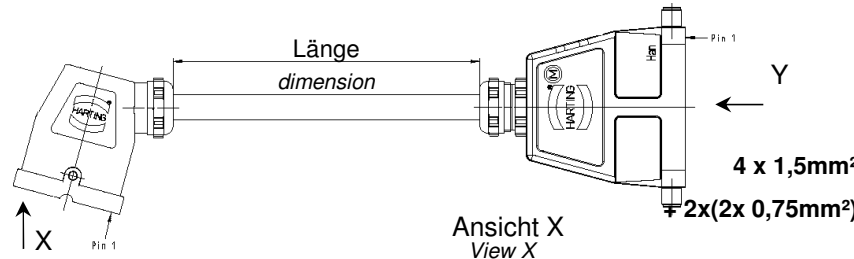
Solution Partner

Automation

SIEMENS

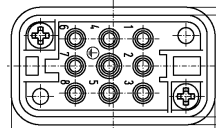
SINAMICS G120D

3.2 Motorleitung (geschirmt) für Motoren in Dreieckschaltung mit Bremse und Temperaturegeber / Motor cable (screened) for motors with delta connection with brakes and termic device



| Artikel-Nr. Part No. | Länge length |
|-------------------------|-----------------|
| HTG:61 88 202 0525 | 1,5m |
| HTG:61 88 202 0526 | 3,0m |
| HTG:61 88 202 0527 | 5,0m |

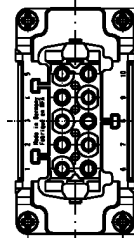
| PIN | X | Y |
|-----|--------|--------|
| 1 | U | U |
| 2 | - | V |
| 3 | W | W |
| 4 | Bremse | Bremse |
| 5 | Temp. | Bremse |
| 6 | Bremse | ● |
| 7 | V | ● |
| 8 | Temp. | ● |
| 9 | - | Temp. |
| 10 | - | Temp. |
| ⊕ | PE | PE |



4 x 2,5mm²
+ 2x(2x 0,75mm²)

Brücke
bridge

Ansicht Y
View Y



| Artikel-Nr. Part No. | Länge length |
|-------------------------|-----------------|
| HTG:61 88 202 0528 | 1,5m |
| HTG:61 88 202 0529 | 3,0m |
| HTG:61 88 202 0530 | 5,0m |

Variable Längen auf Anfrage
Variable lengths on request

Elektrische und technische Daten /electrical and technical data

Nennspannung /rated voltage :
 Leistungsadern : U₀/U 600/1000V
 /power cores
 Signaladern : U₀/U 300V
 /control cores
 Prüfspannung / test voltage:
 Leistungsadern : 4000V
 /power cores
 Signaladern : 2000V
 /control cores
 Isolationswiderstand / Leistungsadern : 20Mxkm
 /isolation resistance / power cores
 Biegeradius / bending radius : ca. 10x Kabel- ϕ
 Geschwindigkeit / speed : max. 180 m/min
 Beschleunigung / acceleration : max. 7m/s²
 Zugfestigkeit : max. 50 N/mm²
 / Admissible tensile load
 Temperaturbereich / temperature range :
 bewegt / moved : -30°C bis + 80°C
 unbewegt / unmoved : -50°C bis +90°C
 Ölbeständigkeit / oil resistance :
 VDE 0472 Teil / part 803 A/B
 Brandfortleitung / Flammwidrigkeit :
 /fire propagation / flame retardation
 VDE 0472 Teil A, IEC 332.2
 VDE 0472 part 804, test method A, IEC 332-2

Bremse-brake

| Multiflex Servo Aufbau |
|---|
| blanke Cu-Litze feinstdrähtig Litzenaufbau nach VDE 0295 Klasse 6 Aderisolation: TPE Aderkennzeichnung: -Leistungsadern: schwarz mit Ziffernaufdruck 1-3 -Schutzleiter grün-gelb -Signaladern: schwarz, mit Ziffernaufdruck 5-6 und 7-8, -2 Adern paarig verseilt mit einer kunststoffkaschierten Metallfolie als statischem Schirm und Cu-Geflechschirm, verzinkt Vlies Cu-Geflechschirm, verzinkt Außenmantel: Spezial-PUR, gleitfähig Mantelfarbe orange 2003 |

| Gehäuse/housing |
|---|
| Werkstoff: ZN bzw. AL -Druckg. /material |
| Verschraubung : M 25 /screw |
| Überwurfmutter : M25 /lock nut |
| Werkstoff: MS /material |
| Dichteinsatz / seal insert |
| Werkstoff: TPE / Neopren /material |

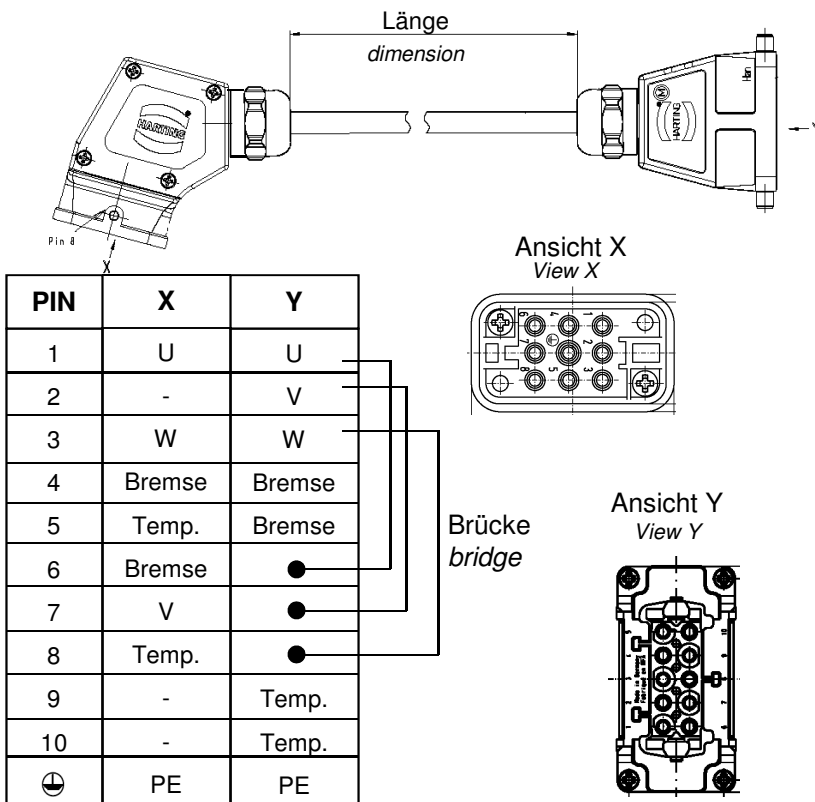
| Multiflex Servo design |
|--|
| Stranded bare conductor made of Cu extra-fine wire Strand structure according to VDE 0295, class 6 TPE-insulated cores Core marking: -Power cores: black with printed number coding 1-3 -Protective conductor: green-yellow -Control cores: black, with printed number coding 5-6 and 7-8 -2 cores twisted in pairs with a static screen made of plastics laminated metal foil and a copper braided screen, tinned Fabric Tinned copper braided screening Outer sheath: special PUR, with sliding ability Sheath colour: orange, RAL 2003 |

Solution Partner
Automation **SIEMENS**

SINAMICS G120D

3.2 Motorleitung (geschirmt) für Motoren in Dreieckschaltung mit Bremse und Temperaturegeber / Motor cable (screened) for motors with delta connection with brakes and termic device

4 x 4,0mm²
+ (2x 1,0mm² + 2x1,5mm²)



| Artikel-Nr. Part No. | Länge length |
|-------------------------|-----------------|
| HTG:61 88 202 0531 | 1,5m |
| HTG:61 88 202 0532 | 3,0m |
| HTG:61 88 202 0533 | 5,0m |

Variable Längen auf Anfrage
Variable lengths on request

Elektrische und technische Daten /electrical and technical data

| | |
|--|-----------------------------|
| Nennspannung /rated voltage : | |
| Leistungsadern : /power cores | U ₀ /U 600/1000V |
| Signaladern : /control cores | U ₀ /U 300V |
| Prüfspannung / test voltage: | |
| Leistungsadern : /power cores | 4000V |
| Signaladern : /control cores | 2000V |
| Isolationswiderstand / Leistungsadern : 20Mxkm | |
| /isolation resistance / power cores | |
| Biegeradius / bending radius : ca. 10x Kabel- ϕ | |
| Geschwindigkeit / speed : max. 180 m/min | |
| Beschleunigung / acceleration : max. 7m/s ² | |
| Zugfestigkeit : max. 50 N/mm ² | |
| / Admissible tensile load | |
| Temperaturbereich / temperature range : | |
| bewegt / moved : -30°C bis + 80°C | |
| unbewegt / unmoved : -50°C bis +90°C | |
| Ölbeständigkeit / oil resistance : | |
| VDE 0472 Teil A, IEC 332-2 | |
| Brandfortleitung / Flammwidrigkeit : | |
| /fire propagation / flame retardation | |
| VDE 0472 Teil A, IEC 332-2 | |
| VDE 0472 part 804, test method A, IEC 332-2 | |

Bremse-brake

Multiflex Servo Aufbau

blanke Cu-Litze feinstdrähtig
 Litzenaufbau nach VDE 0295 Klasse 6 Aderisolation: TPE
 Aderkennzeichnung:
 -Leistungsadern: schwarz mit Ziffernaufdruck 1-3
 -Schutzleiter grün-gelb
 -Signaladern: schwarz, mit Ziffernaufdruck 5-6 und 7-8,
 -2 Adern paarig verseilt mit einer kunststoffkaschierten Metallfolie als
 statischem Schirm und Cu-Geflechschirm, verzinkt
 Vlies
 Cu-Geflechschirm, verzinkt
 Außenmantel: Spezial-PUR, gleitfähig Mantelfarbe orange 2003

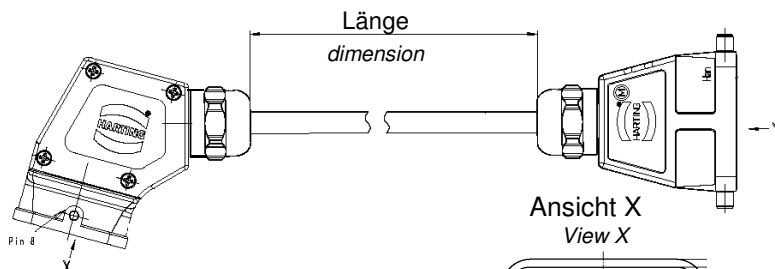
Gehäuse/housing
 Werkstoff: ZN bzw. AL -Druckg.
 /material
Verschraubung : M 25
 / screw
 Werkstoff: MS
 /material
Dichteinsatz / seal insert
 Werkstoff: TPE / Neopren
 /material

Multiflex Servo design

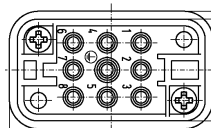
Stranded bare conductor made of Cu extra-fine wire
 Strand structure according to VDE 0295, class 6
 TPE-insulated cores
 Core marking:
 -Power cores: black with printed number coding 1-3
 -Protective conductor: green-yellow
 -Control cores: black, with printed number coding 5-6 and 7-8
 -2 cores twisted in pairs with a static screen made of plastics laminated
 metal foil and a copper braided screen, tinned
 Fabric
 Tinned copper braided screening
 Outer sheath: special PUR, with sliding ability
 Sheath colour: orange, RAL 2003

SINAMICS G120D

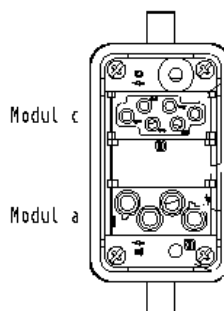
3.2.4 Adapterleitung - 4mm² Geräteanschluss auf 6mm² für UL- Norm Motor cable (screened) used for UL applications



| PIN X | X | Y | PIN Y |
|-------|--------|--------|-------|
| 1 | U | U | 1 |
| 2 | - | V | 2 |
| 3 | W | W | 3 |
| 4 | Bremse | Bremse | 1 |
| 5 | Temp. | Bremse | 2 |
| 6 | Bremse | | |
| 7 | V | | |
| 8 | Temp. | | |
| 9 | - | Temp. | 5 |
| 10 | - | Temp. | 6 |
| ⊕ | PE | PE | ⊕ |



Ansicht Y View Y



4 x 4,0mm²
 + (2x 1,0mm² + 2x1,5mm²)

| Artikel-Nr. Part No. | Länge length |
|-------------------------|-----------------|
| HTG:61 88 202 0497 | 0,3m |

Variable Längen auf Anfrage
 Variable lengths on request

Elektrische und technische Daten /electrical and technical data

Nennspannung /rated voltage :
 Leistungsadern: U₀/U 600/1000V
 /power cores
 Signaladern : U₀/U 300V
 /control cores
 Prüfspannung / test voltage:
 Leistungsadern : 4000V
 /power cores
 Signaladern : 2000V
 /control cores
 Isolationswiderstand / Leistungsadern : 20Mxkm
 /isolation resistance / power cores
 Biegeradius / bending radius : ca. 10x Kabel- ϕ
 Geschwindigkeit / speed : max. 180 m/min
 Beschleunigung / acceleration : max. 7m/s²
 Zugfestigkeit : max. 50 N/mm²
 / Admissible tensile load
 Temperaturbereich / temperature range :
 bewegt / moved : -30°C bis +80°C
 unbewegt / unmoved : -50°C bis +90°C
 Ölbeständigkeit / oil resistance :
 VDE 0472 Teil / part 803 A/B
 Brandfortleitung / Flammwidrigkeit :
 /fire propagation / flame retardation
 VDE 0472 Teil A, IEC 332-2
 VDE 0472 part 804, test method A, IEC 332-2

Bremse-brake

Multiflex Servo Aufbau

blanke Cu-Litze feinstdrähtig
 Litzenaufbau nach VDE 0295 Klasse 6 Aderisolation: TPE
 Aderkennzeichnung:
 -Leistungsadern: schwarz mit Ziffernaufdruck 1-3
 -Schutzleiter grün-gelb
 -Signaladern: schwarz, mit Ziffernaufdruck 5-6 und 7-8,
 -2 Adern paarig verseilt mit einer kunststoffkaschierten Metallfolie als
 statischem Schirm und Cu-Geflechschirm, verzinkt
 Vlies
 Cu-Geflechschirm, verzinkt
 Außenmantel: Spezial-PUR, gleitfähig Mantelfarbe orange 2003

Multiflex Servo design

Stranded bare conductor made of Cu extra-fine wire
 Strand structure according to VDE 0295, class 6
 TPE-insulated cores
 Core marking:
 -Power cores: black with printed number coding 1-3
 -Protective conductor: green-yellow
 -Control cores: black, with printed number coding 5-6 and 7-8
 -2 cores twisted in pairs with a static screen made of plastics laminated
 metal foil and a copper braided screen, tinned
 Fabric
 Tinned copper braided screening
 Outer sheath: special PUR, with sliding ability
 Sheath colour: orange, RAL 2003

Gehäuse/housing

Werkstoff: ZN bzw. AL -Druckg.

/material

Verschraubung : M 25

/screw

Werkstoff: MS

/material

Dichteinsatz / seal insert

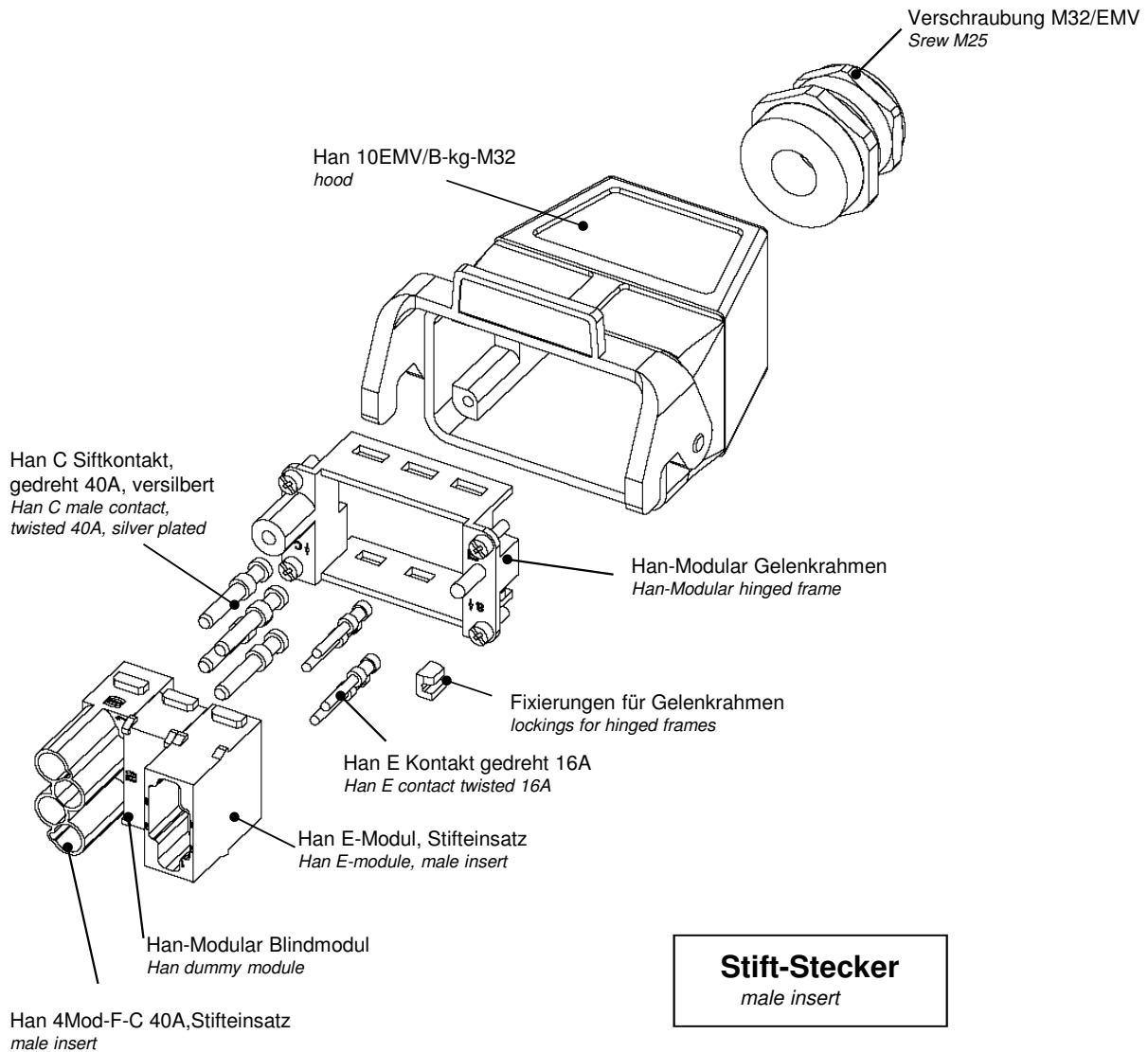
Werkstoff: TPE / Neopren

/material

SINAMICS G120D

3.2.5 Steckerset für Adapterleitung – für UL Anwendungen

Set of connectors - used for UL applications



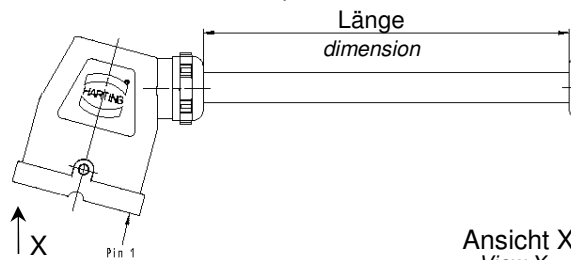
| Artikel-Nr. Part No. | Querschnitt Wire gauge |
|-------------------------|---|
| HTG:61 83 401 0130 | 4 x 6mm ² + (2x1,0mm ² + 2x1,5mm ²) |

Die Dichteinätze sind passend für geschirmte Motorleitungen Kapitel 3.4 - 3.7.
Sealing fit's to screened motor cable item 3.4 - 3.7.

SINAMICS G120D

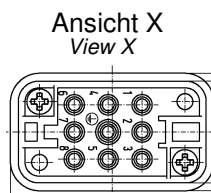
3.3.1 Motorleitung (geschirmt) für Motoren mit Bremse und Temperaturgeber, einseitig konfektioniert

Motor cable (screened) for motors with brakes and termic device, assembled one side



4 x 1,5mm²
+ 2x(2x 0,75mm²)

| Artikel-Nr. Part No. | Länge length |
|-------------------------|-----------------|
| HTG:61 88 201 0288 | 1,5m |
| HTG:61 88 201 0289 | 3,0m |
| HTG:61 88 201 0290 | 5,0m |
| HTG:61 88 201 0299 | 10,0m |
| HTG:61 88 201 0300 | 15,0m |



4 x 2,5mm²
+ 2x(2x 0,75mm²)

| Artikel-Nr. Part No. | Länge length |
|-------------------------|-----------------|
| HTG:61 88 201 0291 | 1,5m |
| HTG:61 88 201 0292 | 3,0m |
| HTG:61 88 201 0293 | 5,0m |
| HTG:61 88 201 0301 | 10,0m |
| HTG:61 88 201 0302 | 15,0m |

| PIN | X | Ader core |
|-----|--------|----------------|
| 1 | U | 1 |
| 2 | - | - |
| 3 | W | 3 |
| 4 | Bremse | 5 |
| 5 | Temp. | 7 |
| 6 | Bremse | 6 |
| 7 | V | 2 |
| 8 | Temp. | 8 |
| ⊕ | PE | gn/ge ve/gn |

Elektrische und technische Daten
/electrical and technical data

Nennspannung /rated voltage :
 Leistungsadern : U₀/U 600/1000V
/power cores
 Signaladern : U₀/U 300V
/control cores
 Prüfspannung / test voltage:
 Leistungsadern : 4000V
/power cores
 Signaladern : 2000V
/control cores
 Isolationswiderstand / Leistungsadern : 20Mxkm
/isolation resistance / power cores
 Biegeradius / bending radius : ca. 10x Kabel- ϕ
 Geschwindigkeit / speed : max. 180 m/min
 Beschleunigung / acceleration : max. 7m/s²
 Zugfestigkeit : max. 50 N/mm²
/ Admissible tensile load
 Temperaturbereich / temperature range :
 bewegt / moved : -30°C bis + 80°C
 unbewegt / unmoved : -50°C bis +90°C
 Ölbeständigkeit / oil resistance :
 VDE 0472 Teil A, IEC 332 A/B
 Brandfortleitung / Flammwidrigkeit :
/fire propagation / flame retardation
 VDE 0472 Teil A, IEC 332.2
 VDE 0472 part 804, test method A, IEC 332-2

Variable Längen auf Anfrage
Variable lengths on request

Bremse-brake

Multiflex Servo
Aufbau

blanke Cu-Litze feinstdrähtig
 Litzenaufbau nach VDE 0295 Klasse 6 Aderisolation: TPE
 Aderkennzeichnung:
 -Leistungsadern: schwarz mit Ziffernaufdruck 1-3
 -Schutzleiter grüngelb
 -Signaladern: schwarz, mit Ziffernaufdruck 5-6 und 7-8,
 -2 Adern paarig verseilt mit einer kunststoffkaschierten Metallfolie als
 statischem Schirm und Cu-Geflechschirm, verzinkt
 Vlies
 Cu-Geflechschirm, verzinkt
 Außenmantel: Spezial-PUR, gleitfähig Mantelfarbe orange 2003

Multiflex Servo
design

Stranded bare conductor made of Cu extra-fine wire
 Strand structure according to VDE 0295, class 6
 TPE-insulated cores
 Core marking:
 -Power cores: black with printed number coding 1-3
 -Protective conductor: green-yellow
 -Control cores: black, with printed number coding 5-6 and 7-8
 -2 cores twisted in pairs with a static screen made of plastics laminated
 metal foil and a copper braided screen, tinned
 Fabric
 Tinned copper braided screening
 Outer sheath: special PUR, with sliding ability
 Sheath colour: orange, RAL 2003

Gehäuse/housing
 Werkstoff: ZN Druckg.
/material
Überwurfmutter : M25
/lock nut
 Werkstoff: MS
/material
Dichteinsatz / seal insert
 Werkstoff: TPE
/material

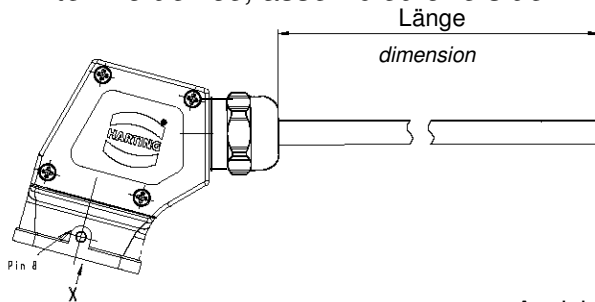
Solution Partner
 Automation **SIEMENS**

SINAMICS G120D

3.3.1 Motorleitung (geschirmt) für Motoren mit Bremse und Temperaturgeber, einseitig konfektioniert

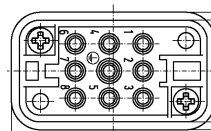
Motor cable (screened) for motors with brakes and termic device, assembled one side

4 x 4,0mm²
+ (2x 1,0mm² + 2x1,5mm²)



| PIN | X | Ader core |
|-----|--------|----------------|
| 1 | U | 1 |
| 2 | - | - |
| 3 | W | 3 |
| 4 | Bremse | 5 |
| 5 | Temp. | 7 |
| 6 | Bremse | 6 |
| 7 | V | 2 |
| 8 | Temp. | 8 |
| ⊕ | PE | gn/ge ye/gn |

Ansicht X
View X



| Artikel-Nr. Part No. | Länge length |
|-------------------------|-----------------|
| HTG:61 88 201 0303 | 1,5m |
| HTG:61 88 201 0304 | 3,0m |
| HTG:61 88 201 0305 | 5,0m |
| HTG:61 88 201 0306 | 10,0m |
| HTG:61 88 201 0307 | 15,0m |

Variable Längen auf Anfrage
Variable lengths on request

Elektrische und technische Daten
/electrical and technical data

Nennspannung /rated voltage :
 Leistungsadern: U₀/U 600/1000V
/power cores
 Signaladern : U₀/U 300V
/control cores
 Prüfspannung / test voltage:
 Leistungsadern : 4000V
/power cores
 Signaladern : 2000V
/control cores
 Isolationswiderstand / Leistungsadern : 20Mxkm
/isolation resistance / power cores
 Biegeradius / bending radius : ca. 10x Kabel- ϕ
 Geschwindigkeit / speed : max. 180 m/min
 Beschleunigung / acceleration : max. 7m/s²
 Zugfestigkeit : max. 50 N/mm²
/ Admissible tensile load
 Temperaturbereich / temperature range :
 bewegt / moved : -30°C bis + 80°C
 unbewegt / unmoved : -50°C bis +90°C
 Ölbeständigkeit / oil resistance :
 VDE 0472 Teil A, IEC 332 A/B
 Brandfortleitung / Flammwidrigkeit :
/fire propagation / flame retardation
 VDE 0472 Teil A, IEC 332-2
 VDE 0472 part 804, test method A, IEC 332-2

Bremse-brake

Multiflex Servo
Aufbau

blanke Cu-Litze feinstdrätig
 Litzenaufbau nach VDE 0295 Klasse 6 Aderisolation: TPE
 Aderkennzeichnung:
 -Leistungsadern: schwarz mit Ziffernaufdruck 1-3
 -Schutzleiter grüngelb
 -Signaladern: schwarz, mit Ziffernaufdruck 5-6 und 7-8,
 -2 Adern paarig verseilt mit einer kunststoffkaschierten Metallfolie als statischem Schirm und Cu-Geflechtschirm, verzinkt
 Vlies
 Cu-Geflechtschirm, verzinkt
 Außenmantel: Spezial-PUR, gleitfähig Mantelfarbe orange 2003

Gehäuse/housing
 Werkstoff: ZN Druckg.
/material
Verschraubung : M 25
/ screw
 Werkstoff: MS
/material
Dichteinsatz / seal insert
 Werkstoff: TPE
/material

Multiflex Servo
design

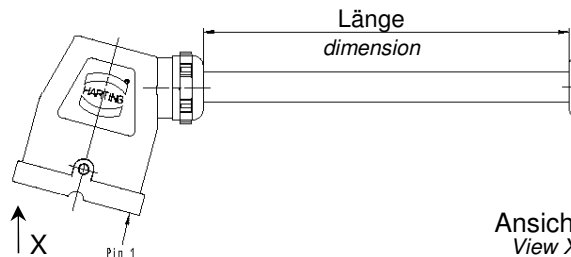
Stranded bare conductor made of Cu extra-fine wire
 Strand structure according to VDE 0295, class 6
 TPE-insulated cores
 Core marking:
 -Power cores: black with printed number coding 1-3
 -Protective conductor: green-yellow
 -Control cores: black, with printed number coding 5-6 and 7-8
 -2 cores twisted in pairs with a static screen made of plastics laminated metal foil and a copper braided screen, tinned
 Fabric
 Tinned copper braided screening
 Outer sheath: special PUR, with sliding ability
 Sheath colour: orange, RAL 2003

Solution Partner
 Automation **SIEMENS**

SINAMICS G120D

3.3.2 Motorleitung (geschirmt) für Motoren ohne Bremse und ohne Temperaturgeber, einseitig konfektioniert

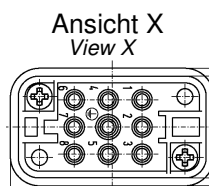
Motor cable (screened) for motors w/o brakes and w/o termic device, assembled one side



4 x 1,5mm²

| Artikel-Nr. Part No. | Länge length |
|-------------------------|-----------------|
| HTG:61 88 201 0350 | 1,5m |
| HTG:61 88 201 0351 | 3,0m |
| HTG:61 88 201 0352 | 5,0m |
| HTG:61 88 201 0353 | 10,0m |
| HTG:61 88 201 0354 | 15,0m |

| PIN | X | Ader core |
|-----|----|----------------|
| 1 | U | 1 |
| 2 | - | - |
| 3 | W | 3 |
| 4 | - | - |
| 5 | - | - |
| 6 | - | - |
| 7 | V | 2 |
| 8 | - | - |
| ⊕ | PE | gn/ge ye/gn |



4 x 2,5mm²

| Artikel-Nr. Part No. | Länge length |
|-------------------------|-----------------|
| HTG:61 88 201 0355 | 1,5m |
| HTG:61 88 201 0356 | 3,0m |
| HTG:61 88 201 0357 | 5,0m |
| HTG:61 88 201 0358 | 10,0m |
| HTG:61 88 201 0359 | 15,0m |

Variable Längen auf Anfrage
Variable lengths on request

Elektrische und technische Daten
/electrical and technical data

| | |
|---|-----------------------------|
| Nennspannung /rated voltage : | |
| Leistungsadern : /power cores | U ₀ /U 600/1000V |
| Signaladern : /control cores | U ₀ /U 300V |
| Prüfspannung / test voltage: | |
| Leistungsadern : /power cores | 4000V |
| Signaladern : /control cores | 2000V |
| Isolationswiderstand / Leistungsadern : 20Mxkm /isolation resistance / power cores | |
| Biegeradius / bending radius : ca. 10x Kabel- ϕ | |
| Geschwindigkeit / speed : max. 180 m/min | |
| Beschleunigung / acceleration : max. 7m/s ² | |
| Zugfestigkeit : max. 50 N/mm ² | |
| / Admissible tensile load | |
| Temperaturbereich / temperature range : | |
| bewegt / moved : -30°C bis + 80°C | |
| unbewegt / unmoved : -50°C bis +90°C | |
| Ölbeständigkeit / oil resistance : | |
| VDE 0472 Teil / part 803 A/B | |
| Brandfortleitung / Flammwidrigkeit : /fire propagation / flame retardation | |
| VDE 0472 Teil A, IEC 332.2 | |
| VDE 0472 part 804, test method A, IEC 332-2 | |

| Multiflex Servo Aufbau |
|---|
| blanke Cu-Litze feinstdrähtig Litzenaufbau nach VDE 0295 Klasse 6 Aderisolation: TPE Aderkennzeichnung: -Leistungsadern: schwarz mit Ziffernaufdruck 1-3 -Schutzleiter grüngelb -Signaladern: schwarz, mit Ziffernaufdruck 5-6 und 7-8, -2 Adern paarig verseilt mit einer kunststoffkaschierten Metallfolie als statischem Schirm und Cu-Geflechschirm, verzinkt Vlies Cu-Geflechschirm, verzinkt Außenmantel: Spezial-PUR, gleitfähig Mantelfarbe orange 2003 |

| Multiflex Servo design |
|---|
| Stranded bare conductor made of Cu extra-fine wire Strand structure according to VDE 0295, class 6 TPE-insulated cores Core marking: -Power cores: black with printed number coding 1-3 -Protective conductor: green-yellow -Control cores: black, with printed number coding 5-6 and 7-8 -2 cores twisted in pairs with a static screen made of plastics laminated metal foil and a copper braided screen, tinned Fabric Tinned copper braided screening Outer sheath: special PUR, with sliding ability Sheath colour: orange, RAL 2003 |

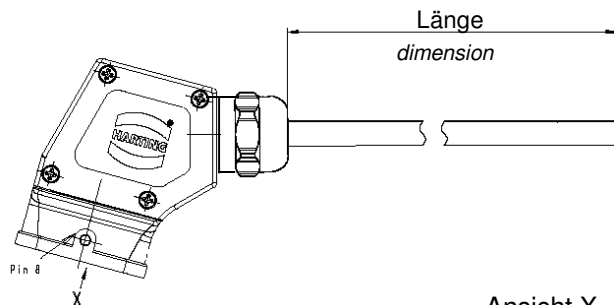
| Gehäuse/housing |
|------------------------------------|
| Werkstoff: ZN Druckg. /material |
| Überwurfmutter : M25 |
| /lock nut |
| Werkstoff: MS |
| /material |
| Dichteinsatz / seal insert |
| Werkstoff: TPE |
| /material |

| |
|--|
| Solution Partner |
| Automation SIEMENS |

SINAMICS G120D

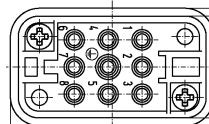
3.3.2 Motorleitung (geschirmt) für Motoren ohne Bremse und ohne Temperaturgeber, einseitig konfektioniert

Motor cable (screened) for motors w/o brakes and w/o termic device, assembled one side



| PIN | X | Ader core |
|-----|----|----------------|
| 1 | U | 1 |
| 2 | - | - |
| 3 | W | 3 |
| 4 | - | - |
| 5 | - | - |
| 6 | - | - |
| 7 | V | 2 |
| 8 | - | - |
| | PE | gn/ge ye/gn |

Ansicht X
View X



4 x 4,0mm²

| Artikel-Nr. Part No. | Länge length |
|-------------------------|-----------------|
| HTG:61 88 201 0360 | 1,5m |
| HTG:61 88 201 0361 | 3,0m |
| HTG:61 88 201 0362 | 5,0m |
| HTG:61 88 201 0363 | 10,0m |
| HTG:61 88 201 0364 | 15,0m |

Variable Längen auf Anfrage
Variable lengths on request

Elektrische und technische Daten /electrical and technical data

Nennspannung /rated voltage :
 Leistungsadern : Uo/U 600/1000V
 /power cores
 Signaladern : Uo/U 300V
 /control cores
 Prüfspannung / test voltage:
 Leistungsadern : 4000V
 /power cores
 Signaladern : 2000V
 /control cores
 Isolationswiderstand / Leistungsadern : 20Mxkm
 /isolation resistance / power cores
 Biegeradius / bending radius : ca. 10x Kabel- ϕ
 Geschwindigkeit / speed : max. 180 m/min
 Beschleunigung / acceleration : max. 7m/s²
 Zugfestigkeit : max. 50 N/mm²
 / Admissible tensile load
 Temperaturbereich / temperature range :
 bewegt / moved : -30°C bis + 80°C
 unbewegt / unmoved : -50°C bis +90°C
 Ölbeständigkeit / oil resistance :
 VDE 0472 Teil / part 803 A/B
 Brandfortleitung / Flammwidrigkeit :
 /fire propagation / flame retardation
 VDE 0472 Teil A, IEC 332-2
 VDE 0472 part 804, test method A, IEC 332-2

Multiflex Servo

Aufbau

blanke Cu-Litze feinstdrähtig
 Litzenaufbau nach VDE 0295 Klasse 6 Aderisolation: TPE
 Aderkennzeichnung:
 -Leistungsadern: schwarz mit Ziffernaufdruck 1-3
 -Schutzleiter grüngelb
 -Signaladern: schwarz, mit Ziffernaufdruck 5-6 und 7-8,
 -2 Adern paarig verseilt mit einer kunststoffkaschierten Metallfolie als
 statischem Schirm und Cu-Geflechtschirm, verzinkt
 Vlies
 Cu-Geflechtschirm, verzinkt
 Außenmantel: Spezial-PUR, gleitfähig Mantelfarbe orange 2003

Gehäuse/housing

Werkstoff: ZN Druckg.

/material

Verschraubung : M 25

/ screw

Werkstoff: MS

/material

Dichteinsatz / seal insert

Werkstoff: TPE

/material

Multiflex Servo

design

Stranded bare conductor made of Cu extra-fine wire
 Strand structure according to VDE 0295, class 6
 TPE-insulated cores
 Core marking:
 -Power cores: black with printed number coding 1-3
 -Protective conductor: green-yellow
 -Control cores: black, with printed number coding 5-6 and 7-8
 -2 cores twisted in pairs with a static screen made of plastics laminated
 metal foil and a copper braided screen, tinned
 Fabric
 Tinned copper braided screening
 Outer sheath: special PUR, with sliding ability
 Sheath colour: orange, RAL 2003

Solution Partner

Automation

SIEMENS

SINAMICS G120D

3.4 Motorleitung (Ringware) 4 x 1,5mm²+ 2x (2 x 0,75mm²), (geschirmt)

Motor cable (sold by ring), (screened)
 4 x 1,5mm²+ 2x (2 x 0,75mm²)



| Artikel-Nr. Part No. | Länge length | VPE Packaging unit |
|---------------------------|-----------------|-----------------------|
| HTG:61 88 601 0004 | 10m | 1 |
| HTG:61 88 601 0005 | 50m | 1 |
| auf Anfrage on request | >50m | 1 |

Anwendung

Diese Leitung findet Verwendung als Anschlußleitung für die Versorgung und gleichzeitiger Steuerung von Motoren, besonders in Schleppketten und an Robotern. Die doppelte Abschirmung der Paare und die Gesamtabschirmung sichert eine hervorragende EMV-Eigenschaft. Der kerbzähe und adhäsionsfreie PUR-Außenmantel zeichnet sich durch sehr gute Ölbeständigkeit, gute Chemische- und Witterungsbeständigkeit aus und gewährleistet eine hohe Standzeit mit ca. 2 Mio. Biegewechselzyklen.

Applications

These cables are used as connecting cables for power supply and, at the same time, as motor control cables. Primarily used on drag chains and robots. Double screening of individual pairs and overall screening provide excellent electromagnetic compatibility. The PUR outer sheath is characterised by its high impact strength, adhesion resistance, resistance to oil, fastness to weathering and resistance to chemical influences and thus ensures a long service life of the cable with approx. 2 million bending cycles.

Aufbau

blanke Cu-Litze feinstdrähtig
 Litzenaufbau nach VDE 0295 Klasse 6 Aderisolation: TPE
 Aderkennzeichnung:
 -Leistungsadern: schwarz mit Ziffernaufdruck 1-3
 -Schutzleiter grüngelb
 -Signaladern: schwarz, mit Ziffernaufdruck 5-6 und 7-8,
 -2 Adern paarig verseilt mit einer kunststoffkaschierten Metallfolie als statischem Schirm und Cu-Geflechschirm, verzinkt
 Vlies
 Cu-Geflechschirm, verzinkt
 Außenmantel: Spezial-PUR, gleitfähig Mantelfarbe orange 2003

design

Stranded bare conductor made of Cu extra-fine wire
 Strand structure according to VDE 0295, class 6
 TPE-insulated cores
 Core marking:
 -Power cores: black with printed number coding 1-3
 -Protective conductor: green-yellow
 -Control cores: black, with printed number coding 5-6 and 7-8
 -2 cores twisted in pairs with a static screen made of plastics laminated metal foil and a copper braided screen, tinned
 Fabric
 Tinned copper braided screening
 Outer sheath: special PUR, with sliding ability
 Sheath colour: orange, RAL 2003

Elektrische und technische Daten

/electrical and technical data

Nennspannung /rated voltage :
 Leistungsadern: U₀/U 600/1000V
 /power cores
 Signaladern : U₀/U 300V
 /control cores
 Prüfspannung / test voltage:
 Leistungsadern : 4000V
 /power cores
 Signaladern : 2000V
 /control cores
 Isolationswiderstand / Leistungsadern : 20Mxkm
 /isolation resistance / power cores
 Biegeradius / bending radius : ca. 10x Kabel- ϕ
 Geschwindigkeit / speed : max. 180 m/min
 Beschleunigung / acceleration : max. 7m/s²
 Zugfestigkeit : max. 50 N/mm²
 / Admissible tensile load
 Temperaturbereich / temperature range :
 bewegt / moved : -30°C bis + 80°C
 unbewegt / unmoved : -50°C bis +90°C
 Ölbeständigkeit / oil resistance :
 VDE 0472 Teil / part 803 A/B
 Brandfortleitung / Flammwidrigkeit :
 /fire propagation / flame retardation
 VDE 0472 Teil A, IEC 332-2
 VDE 0472 part 804, test method A, IEC 332-2

Solution Partner

Automation

SIEMENS

SINAMICS G120D

3.4.1 Motorleitung (Ringware) 4 x 1,5mm², (geschirmt)

Motor cable (sold by ring) 4 x 1,5mm²,
 (screened)



| Artikel-Nr. Part No. | Länge length | VPE Packaging unit |
|---------------------------|-----------------|-----------------------|
| HTG:61 88 601 0010 | 10m | 1 |
| HTG:61 88 601 0011 | 50m | 1 |
| auf Anfrage on request | >50m | 1 |

Anwendung

Diese Leitung findet Verwendung als Anschlußleitung für die Versorgung und gleichzeitiger Steuerung von Motoren, besonders in Schleppketten und an Robotern. Die doppelte Abschirmung der Paare und die Gesamtabschirmung sichert eine hervorragende EMV-Eigenschaft. Der kerbzähe und adhäsionsfreie PUR-Außenmantel zeichnet sich durch sehr gute Ölbeständigkeit, gute Chemische- und Witterungsbeständigkeit aus und gewährleistet eine hohe Standzeit mit ca. 2 Mio. Biegewechselzyklen.

Applications

These cables are used as connecting cables for power supply and, at the same time, as motor control cables. Primarily used on drag chains and robots. Double screening of individual pairs and overall screening provide excellent electromagnetic compatibility. The PUR outer sheath is characterised by its high impact strength, adhesion resistance, resistance to oil, fastness to weathering and resistance to chemical influences and thus ensures a long service life of the cable with approx. 2 million bending cycles.

Aufbau

blanke Cu-Litze feinstdrähtig
 Litzenaufbau nach VDE 0295 Klasse 6 Aderisolation: TPE
 Aderkennzeichnung:
 -Leistungsadern: schwarz mit Ziffernaufdruck 1-3
 -Schutzleiter grüngelb
 -Signaladern: schwarz, mit Ziffernaufdruck 5-6 und 7-8,
 -2 Adern paarig verseilt mit einer kunststoffkaschierten Metallfolie als statischem Schirm und Cu-Geflechschirm, verzinkt
 Vlies
 Cu-Geflechschirm, verzinkt
 Außenmantel: Spezial-PUR, gleitfähig Mantelfarbe orange 2003

design

Stranded bare conductor made of Cu extra-fine wire
 Strand structure according to VDE 0295, class 6
 TPE-insulated cores
 Core marking:
 -Power cores: black with printed number coding 1-3
 -Protective conductor: green-yellow
 -Control cores: black, with printed number coding 5-6 and 7-8
 -2 cores twisted in pairs with a static screen made of plastics laminated metal foil and a copper braided screen, tinned
 Fabric
 Tinned copper braided screening
 Outer sheath: special PUR, with sliding ability
 Sheath colour: orange, RAL 2003

Elektrische und technische Daten

/electrical and technical data

Nennspannung / rated voltage :
 Leistungsadern : U₀/U 600/1000V
 /power cores
 Signaladern : U₀/U 300V
 /control cores
 Prüfspannung / test voltage:
 Leistungsadern : 4000V
 /power cores
 Signaladern : 2000V
 /control cores
 Isolationswiderstand / Leistungsadern : 20M Ω km
 /isolation resistance / power cores
 Biegeradius / bending radius : ca. 10x Kabel- ϕ
 Geschwindigkeit / speed : max. 180 m/min
 Beschleunigung / acceleration : max. 7m/s²
 Zugfestigkeit : max. 50 N/mm²
 / Admissible tensile load
 Temperaturbereich / temperature range :
 bewegt / moved : -30°C bis + 80°C
 unbewegt / unmoved : -50°C bis +90°C
 Ölbeständigkeit / oil resistance :
 VDE 0472 Teil A, IEC 332-2
 Brandfortleitung / Flammwidrigkeit :
 /fire propagation / flame retardation
 VDE 0472 Teil A, IEC 332-2
 VDE 0472 part 804, test method A, IEC 332-2

Solution Partner

Automation

SIEMENS

SINAMICS G120D

3.5 Motorleitung (Ringware) 4 x 2,5mm² + 2 x (2 x 0,75mm²), (geschirmt)

Motor cable (sold by ring), (screened)
 4 x 2,5mm² + 2x (2 x 0,75mm²)



| Artikel-Nr. Part No. | Länge length | VPE Packaging unit |
|---------------------------|-----------------|-----------------------|
| HTG:61 88 601 0006 | 10m | 1 |
| HTG:61 88 601 0007 | 50m | 1 |
| auf Anfrage on request | >50m | 1 |

Anwendung

Diese Leitung findet Verwendung als Anschlußleitung für die Versorgung und gleichzeitiger Steuerung von Motoren, besonders in Schleppketten und an Robotern. Die doppelte Abschirmung der Paare und die Gesamtabschirmung sichert eine hervorragende EMV-Eigenschaft. Der kerbzähe und adhäsionsfreie PUR-Außenmantel zeichnet sich durch sehr gute Ölbeständigkeit, gute Chemische- und Witterungsbeständigkeit aus und gewährleistet eine hohe Standzeit mit ca. 2 Mio. Biegewechselzyklen.

Applications

These cables are used as connecting cables for power supply and, at the same time, as motor control cables. Primarily used on drag chains and robots. Double screening of individual pairs and overall screening provide excellent electromagnetic compatibility. The PUR outer sheath is characterised by its high impact strength, adhesion resistance, resistance to oil, fastness to weathering and resistance to chemical influences and thus ensures a long service life of the cable with approx. 2 million bending cycles.

Aufbau

blanke Cu-Litze feinstdrähtig
 Litzenaufbau nach VDE 0295 Klasse 6 Aderisolation: TPE
 Aderkennzeichnung:
 -Leistungsadern: schwarz mit Ziffernaufdruck 1-3
 -Schutzleiter grün-gelb
 -Signaladern: schwarz, mit Ziffernaufdruck 5-6 und 7-8,
 -2 Adern paarig verseilt mit einer kunststoffkaschierten Metallfolie als statischem Schirm und Cu-Geflechschirm, verzinkt
 Vlies
 Cu-Geflechschirm, verzinkt
 Außenmantel: Spezial-PUR, gleitfähig Mantelfarbe orange 2003

design

Stranded bare conductor made of Cu extra-fine wire
 Strand structure according to VDE 0295, class 6
 TPE-insulated cores
 Core marking:
 -Power cores: black with printed number coding 1-3
 -Protective conductor: green-yellow
 -Control cores: black, with printed number coding 5-6 and 7-8
 -2 cores twisted in pairs with a static screen made of plastics laminated metal foil and a copper braided screen, tinned
 Fabric
 Tinned copper braided screening
 Outer sheath: special PUR, with sliding ability
 Sheath colour: orange, RAL 2003

Elektrische und technische Daten

/electrical and technical data

Nennspannung /rated voltage :
 Leistungsadern : U₀/U 600/1000V
 /power cores
 Signaladern : U₀/U 300V
 /control cores
 Prüfspannung / test voltage:
 Leistungsadern : 4000V
 /power cores
 Signaladern : 2000V
 /control cores
 Isolationswiderstand / Leistungsadern : 20Mxkm
 /isolation resistance / power cores
 Biegeradius / bending radius : ca. 10x Kabel- ϕ
 Geschwindigkeit / speed : max. 180 m/min
 Beschleunigung / acceleration : max. 7m/s²
 Zugfestigkeit : max. 50 N/mm²
 / Admissible tensile load
 Temperaturbereich / temperature range :
 bewegt / moved : -30°C bis + 80°C
 unbewegt / unmoved : -50°C bis +90°C
 Ölbeständigkeit / oil resistance :
 VDE 0472 Teil / part 803 A/B
 Brandfortleitung / Flammwidrigkeit :
 /fire propagation / flame retardation
 VDE 0472 Teil A, IEC 332-2
 VDE 0472 part 804, test method A, IEC 332-2

Solution Partner

Automation

SIEMENS

SINAMICS G120D

3.5.1 Motorleitung (Ringware) 4 x 2,5mm², (geschirmt)

*Motor cable (sold by ring) 4 x 2,5mm²,
(screened)*



| Artikel-Nr. <i>Part No.</i> | Länge <i>length</i> | VPE <i>Packaging unit</i> |
|----------------------------------|------------------------|------------------------------|
| HTG:61 88 601 0012 | 10m | 1 |
| HTG:61 88 601 0013 | 50m | 1 |
| auf Anfrage <i>on request</i> | >50m | 1 |

Anwendung

Diese Leitung findet Verwendung als Anschlußleitung für die Versorgung und gleichzeitiger Steuerung von Motoren, besonders in Schleppketten und an Robotern. Die doppelte Abschirmung der Paare und die Gesamtabschirmung sichert eine hervorragende EMV-Eigenschaft. Der kerbzähe und adhäsionsfreie PUR-Außenmantel zeichnet sich durch sehr gute Ölbeständigkeit, gute Chemische- und Witterungsbeständigkeit aus und gewährleistet eine hohe Standzeit mit ca. 2 Mio. Biegewechselzyklen.

Applications

These cables are used as connecting cables for power supply and, at the same time, as motor control cables. Primarily used on drag chains and robots. Double screening of individual pairs and overall screening provide excellent electromagnetic compatibility. The PUR outer sheath is characterised by its high impact strength, adhesion resistance, resistance to oil, fastness to weathering and resistance to chemical influences and thus ensures a long service life of the cable with approx. 2 million bending cycles.

Elektrische und technische Daten */electrical and technical data*

Nennspannung / *rated voltage* :

Leistungsadern : U₀/U 600/1000V
/power cores

Signaladern : U₀/U 300V
/control cores

Prüfspannung / *test voltage*:

Leistungsadern : 4000V
/power cores

Signaladern : 2000V
/control cores

Isolationswiderstand / Leistungsadern : 20M \times km
/isolation resistance / power cores

Biegeradius / *bending radius* : ca. 10x Kabel- ϕ

Geschwindigkeit / *speed* : max. 180 m/min

Beschleunigung / *acceleration* : max. 7m/s²

Zugfestigkeit : max. 50 N/mm²

/ Admissible tensile load

Temperaturbereich / *temperature range* :

bewegt / *moved* : -30°C bis + 80°C

unbewegt / *unmoved* : -50°C bis +90°C

Ölbeständigkeit / *oil resistance* :

VDE 0472 Teil / *part* 803 A/B

Brandfortleitung / *Flammwidrigkeit* :

/fire propagation / flame retardation

VDE 0472 Teil A, IEC 332-2


VDE 0472 part 804, test method A, IEC 332-2

Aufbau

blanke Cu-Litze feinstdrähtig
 Litzenaufbau nach VDE 0295 Klasse 6 Aderisolation: TPE
 Aderkennzeichnung:
 -Leistungsadern: schwarz mit Ziffernaufdruck 1-3
 -Schutzleiter grüngelb
 -Signaladern: schwarz, mit Ziffernaufdruck 5-6 und 7-8,
 -2 Adern paarig verseilt mit einer kunststoffkaschierten Metallfolie als statischem Schirm und Cu-Geflechschirm, verzinkt
 Vlies
 Cu-Geflechschirm, verzinkt
 Außenmantel: Spezial-PUR, gleitfähig Mantelfarbe orange 2003

design

Stranded bare conductor made of Cu extra-fine wire
 Strand structure according to VDE 0295, class 6
 TPE-insulated cores
 Core marking:
 -Power cores: black with printed number coding 1-3
 -Protective conductor: green-yellow
 -Control cores: black, with printed number coding 5-6 and 7-8
 -2 cores twisted in pairs with a static screen made of plastics laminated metal foil and a copper braided screen, tinned
 Fabric
 Tinned copper braided screening
 Outer sheath: special PUR, with sliding ability
 Sheath colour: orange, RAL 2003

| | |
|------------------|---|
| Solution Partner |  |
| Automation | |

SINAMICS G120D

3.6 Motorleitung (Ringware) 4 x 4mm² + (2 x 1mm²) + (2 x 1,5mm²), (geschirmt)

Motor cable (sold by ring), (screened)
 4 x 4mm² + (2 x 1mm²) + (2 x 1,5mm²)



| Artikel-Nr. Part No. | Länge length | VPE Packaging unit |
|---------------------------|-----------------|-----------------------|
| HTG:61 88 601 0008 | 10m | 1 |
| HTG:61 88 601 0009 | 50m | 1 |
| auf Anfrage on request | >50m | 1 |

Anwendung

Diese Leitung findet Verwendung als Anschlußleitung für die Versorgung und gleichzeitiger Steuerung von Motoren, besonders in Schleppketten und an Robotern. Die doppelte Abschirmung der Paare und die Gesamtabschirmung sichert eine hervorragende EMV-Eigenschaft. Der kerbzähe und adhäsionsfreie PUR-Außenmantel zeichnet sich durch sehr gute Ölbeständigkeit, gute Chemische- und Witterungsbeständigkeit aus und gewährleistet eine hohe Standzeit mit ca. 2 Mio. Biegewechselzyklen.

Applications

These cables are used as connecting cables for power supply and, at the same time, as motor control cables. Primarily used on drag chains and robots. Double screening of individual pairs and overall screening provide excellent electromagnetic compatibility. The PUR outer sheath is characterised by its high impact strength, adhesion resistance, resistance to oil, fastness to weathering and resistance to chemical influences and thus ensures a long service life of the cable with approx. 2 million bending cycles.

Aufbau

blanke Cu-Litze feinstdrähtig
 Litzenaufbau nach VDE 0295 Klasse 6 Aderisolation: TPE
 Aderkennzeichnung:
 -Leistungsadern: schwarz mit Ziffernaufdruck 1-3
 -Schutzleiter grüngelb
 -Signaladern: schwarz, mit Ziffernaufdruck 5-6 und 7-8,
 -2 Adern paarig verseilt mit einer kunststoffkaschierten Metallfolie als statischem Schirm und Cu-Geflechschirm, verzinkt
 Vlies
 Cu-Geflechschirm, verzinkt
 Außenmantel: Spezial-PUR, gleitfähig Mantelfarbe orange 2003

design

Stranded bare conductor made of Cu extra-fine wire
 Strand structure according to VDE 0295, class 6
 TPE-insulated cores
 Core marking:
 -Power cores: black with printed number coding 1-3
 -Protective conductor: green-yellow
 -Control cores: black, with printed number coding 5-6 and 7-8
 -2 cores twisted in pairs with a static screen made of plastics laminated metal foil and a copper braided screen, tinned
 Fabric
 Tinned copper braided screening
 Outer sheath: special PUR, with sliding ability
 Sheath colour: orange, RAL 2003

Elektrische und technische Daten

/electrical and technical data

Nennspannung /rated voltage :
 Leistungsadern : U₀/U 600/1000V
 /power cores
 Signaladern : U₀/U 300V
 /control cores
 Prüfspannung / test voltage:
 Leistungsadern : 4000V
 /power cores
 Signaladern : 2000V
 /control cores
 Isolationswiderstand / Leistungsadern : 20Mxkm
 /isolation resistance / power cores
 Biegeradius / bending radius : ca. 10x Kabel- ϕ
 Geschwindigkeit / speed : max. 180 m/min
 Beschleunigung / acceleration : max. 7m/s²
 Zugfestigkeit : max. 50 N/mm²
 / Admissible tensile load
 Temperaturbereich / temperature range :
 bewegt / moved : -30°C bis + 80°C
 unbewegt / unmoved : -50°C bis +90°C
 Ölbeständigkeit / oil resistance :
 VDE 0472 Teil / part 803 A/B
 Brandfortleitung / Flammwidrigkeit :
 /fire propagation / flame retardation
 VDE 0472 Teil A, IEC 332-2
 VDE 0472 part 804, test method A, IEC 332-2

Solution Partner

Automation

SIEMENS

SINAMICS G120D

3.6.1 Motorleitung (Ringware) 4 x 4mm², (geschirmt)

Motor cable (sold by ring) 4 x 4mm², (screened)



| Artikel-Nr. <i>Part No.</i> | Länge <i>length</i> | VPE <i>Packaging unit</i> |
|----------------------------------|------------------------|------------------------------|
| HTG:61 88 601 0014 | 10m | 1 |
| HTG:61 88 601 0015 | 50m | 1 |
| auf Anfrage <i>on request</i> | >50m | 1 |

| Anwendung |
|--|
| Diese Leitung findet Verwendung als Anschlußleitung für die Versorgung und gleichzeitiger Steuerung von Motoren, besonders in Schleppketten und an Robotern. Die doppelte Abschirmung der Paare und die Gesamtabschirmung sichert eine hervorragende EMV-Eigenschaft. Der kerbzähe und adhäsionsfreie PUR-Außenmantel zeichnet sich durch sehr gute Ölbeständigkeit, gute Chemische- und Witterungsbeständigkeit aus und gewährleistet eine hohe Standzeit mit ca. 2 Mio. Biegewechselzyklen. |
| Applications |
| These cables are used as connecting cables for power supply and, at the same time, as motor control cables. Primarily used on drag chains and robots. Double screening of individual pairs and overall screening provide excellent electromagnetic compatibility. The PUR outer sheath is characterised by its high impact strength, adhesion resistance, resistance to oil, fastness to weathering and resistance to chemical influences and thus ensures a long service life of the cable with approx. 2 million bending cycles. |

Elektrische und technische Daten */electrical and technical data*

| | |
|--|-----------------------------|
| Nennspannung / <i>rated voltage</i> : | |
| Leistungsadern : <i>/power cores</i> | U ₀ /U 600/1000V |
| Signaladern : <i>/control cores</i> | U ₀ /U 300V |
| Prüfspannung / <i>test voltage</i> : | |
| Leistungsadern : <i>/power cores</i> | 4000V |
| Signaladern : <i>/control cores</i> | 2000V |
| Isolationswiderstand / Leistungsadern : 20Mxkm <i>/isolation resistance / power cores</i> | |
| Biegeradius / <i>bending radius</i> : ca. 10x Kabel- ϕ | |
| Geschwindigkeit / <i>speed</i> : max. 180 m/min | |
| Beschleunigung / <i>acceleration</i> : max. 7m/s ² | |
| Zugfestigkeit : max. 50 N/mm ² | |
| / <i>Admissible tensile load</i> | |
| Temperaturbereich / <i>temperature range</i> : | |
| bewegt / <i>moved</i> : -30°C bis + 80°C | |
| unbewegt / <i>unmoved</i> : -50°C bis +90°C | |
| Ölbeständigkeit / <i>oil resistance</i> : | |
| VDE 0472 Teil / <i>part</i> 803 A/B | |
| Brandfortleitung / <i>Flammwidrigkeit</i> : | |
| / <i>fire propagation / flame retardation</i> | |
| VDE 0472 Teil A, IEC 332-2 | |
| VDE 0472 part 804, test method A, IEC 332-2 | |

| Aufbau |
|--|
| blanke Cu-Litze feinstdrähtig Litzenaufbau nach VDE 0295 Klasse 6 Aderisolation: TPE Aderkennzeichnung: -Leistungsadern: schwarz mit Ziffernaufdruck 1-3 -Schutzleiter grüngelb -Signaladern: schwarz, mit Ziffernaufdruck 5-6 und 7-8, -2 Adern paarig verseilt mit einer kunststoffkaschierten Metallfolie als statischem Schirm und Cu-Geflechschirm, verzinkt Vlies Cu-Geflechschirm, verzinkt Außenmantel: Spezial-PUR, gleitfähig Mantelfarbe orange 2003 |
| design |
| Stranded bare conductor made of Cu extra-fine wire Strand structure according to VDE 0295, class 6 TPE-insulated cores Core marking: -Power cores: black with printed number coding 1-3 -Protective conductor: green-yellow -Control cores: black, with printed number coding 5-6 and 7-8 -2 cores twisted in pairs with a static screen made of plastics laminated metal foil and a copper braided screen, tinned Fabric Tinned copper braided screening Outer sheath: special PUR, with sliding ability Sheath colour: orange, RAL 2003 |

| |
|--|
| Solution Partner |
| Automation SIEMENS |

SINAMICS G120D

3.7 Motorleitung (Ringware) 4 x 6mm² (2 x 1,0mm² + 2 x 1,5mm²)

UL-Norm-Adapterleitung / Motor cable (screened) with UL approval,

4 x 6mm² (2 x 1,0mm² + 2 x 1,5mm²),
 sold by ring



| Artikel-Nr. Part No. | Länge length | VPE Packaging unit |
|---------------------------|-----------------|-----------------------|
| HTG:61 88 601 0016 | 10m | 1 |
| HTG:61 88 601 0017 | 50m | 1 |
| auf Anfrage on request | >50m | 1 |

Anwendung

Diese Leitung findet Verwendung als Anschlußleitung für die Versorgung und gleichzeitiger Steuerung von Motoren, besonders in Schleppketten und an Robotern. Die doppelte Abschirmung der Paare und die Gesamtabschirmung sichert eine hervorragende EMV-Eigenschaft. Der kerbzähe und adhäsionsfreie PUR-Außenmantel zeichnet sich durch sehr gute Ölbeständigkeit, gute Chemische- und Witterungsbeständigkeit aus und gewährleistet eine hohe Standzeit mit ca. 2 Mio. Biegezyklen.

Applications

These cables are used as connecting cables for power supply and, at the same time, as motor control cables. Primarily used on drag chains and robots. Double screening of individual pairs and overall screening provide excellent electromagnetic compatibility. The PUR outer sheath is characterised by its high impact strength, adhesion resistance, resistance to oil, fastness to weathering and resistance to chemical influences and thus ensures a long service life of the cable with approx. 2 million bending cycles.

Aufbau

blanke Cu-Litze feinstdrähtig
 Litzenaufbau nach VDE 0295 Klasse 6 Aderisolation: TPE
 Aderkennzeichnung:
 -Leistungsadern: schwarz mit Ziffernaufdruck 1-3
 -Schutzleiter grüngelb
 -Signaladern: schwarz, mit Ziffernaufdruck 5-6 und 7-8,
 -2 Adern paarig verseilt mit einer kunststoffkaschierten Metallfolie als statischem Schirm und Cu-Geflechschirm, verzinkt
 Vlies
 Cu-Geflechschirm, verzinkt
 Außenmantel: Spezial-PUR, gleitfähig Mantelfarbe orange 2003

design

Stranded bare conductor made of Cu extra-fine wire
 Strand structure according to VDE 0295, class 6
 TPE-insulated cores
 Core marking:
 -Power cores: black with printed number coding 1-3
 -Protective conductor: green-yellow
 -Control cores: black, with printed number coding 5-6 and 7-8
 -2 cores twisted in pairs with a static screen made of plastics laminated metal foil and a copper braided screen, tinned
 Fabric
 Tinned copper braided screening
 Outer sheath: special PUR, with sliding ability
 Sheath colour: orange, RAL 2003

Elektrische und technische Daten

/electrical and technical data

Nennspannung / rated voltage :
 Leistungsadern : U₀/U 600/1000V
 /power cores
 Signaladern : U₀/U 300V
 /control cores
 Prüfspannung / test voltage:
 Leistungsadern : 4000V
 /power cores
 Signaladern : 2000V
 /control cores
 Isolationswiderstand / Leistungsadern : 20Mxkm
 /isolation resistance / power cores
 Biegeradius / bending radius : ca. 10x Kabel- ϕ
 Geschwindigkeit / speed : max. 180 m/min
 Beschleunigung / acceleration : max. 7m/s²
 Zugfestigkeit : max. 50 N/mm²
 / Admissible tensile load
 Temperaturbereich / temperature range :
 bewegt / moved : -30°C bis + 80°C
 unbewegt / unmoved : -50°C bis +90°C
 Ölbeständigkeit / oil resistance :
 VDE 0472 Teil / part 803 A/B
 Brandfortleitung / Flammwidrigkeit :
 /fire propagation / flame retardation
 VDE 0472 Teil A, IEC 332-2
 VDE 0472 part 804, test method A, IEC 332-2

Solution Partner

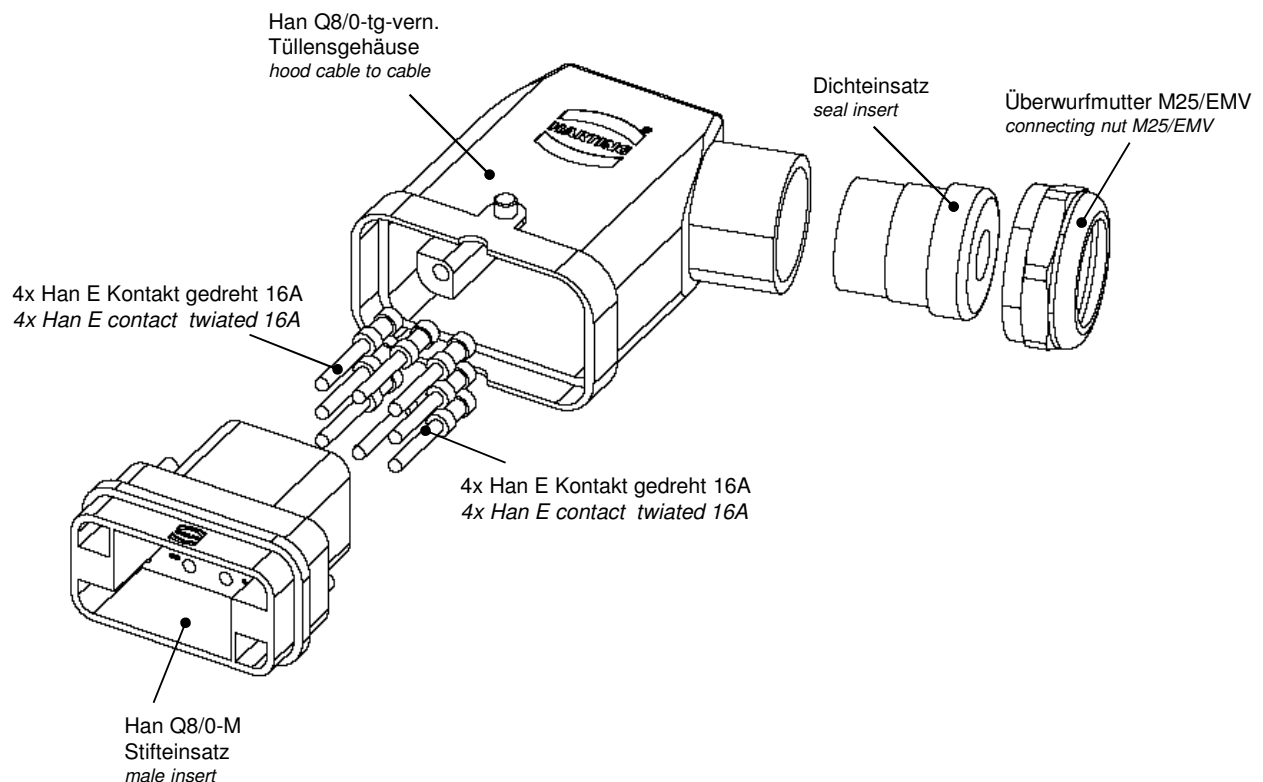
Automation

SIEMENS

SINAMICS G120D

3.8 Steckersätze (geschirmt) für Motor-Anschlussleitung auf Umrichterseite

Set of connectors (screened) for motor cable at frequency inverter side



Stift-Stecker
 Male insert

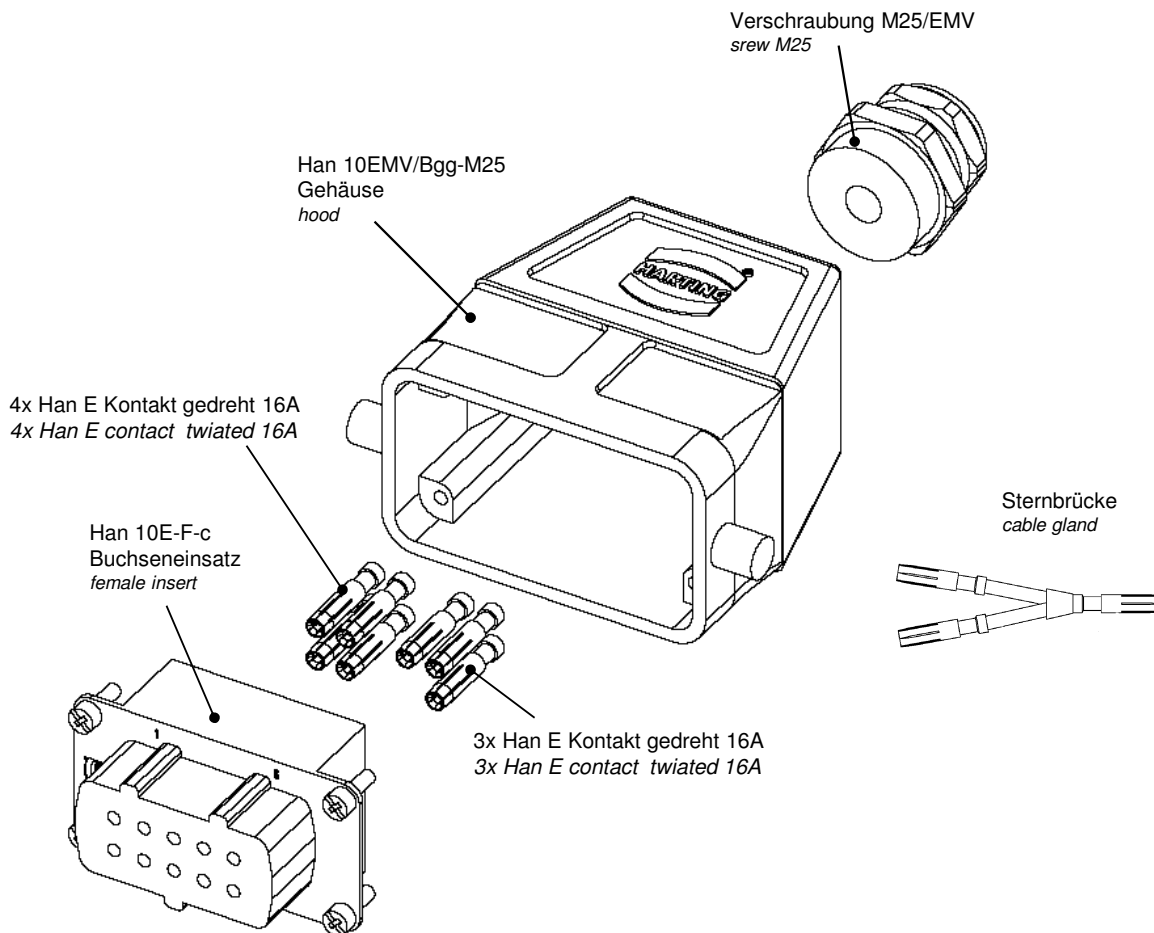
| Artikel-Nr. Part No. | Querschnitt Wire gauge |
|-------------------------|--|
| HTG:61 83 401 0131 | 4x1,5mm ² + 2x (2x0,75mm ²) |
| HTG:61 83 401 0132 | 4x2,5mm ² + 2x (2x0,75mm ²) |
| HTG:61 83 401 0133 | 4x4,0mm ² + 2x1,0mm ² + 2x1,5mm ² |

Die Dichteinzätze sind passend für geschirmte Motorleitungen Kapitel 3.4 - 3.7.
 Sealing fit's to screened motor cable item 3.4 - 3.7.

SINAMICS G120D

3.9 Steckersätze (geschirmt) für Motor-Anschlussleitung auf Motorseite (Sternbrücke)

Set of connectors (screened) for motor cable at motor side (star connection)



Buchsen-Stecker
Female insert

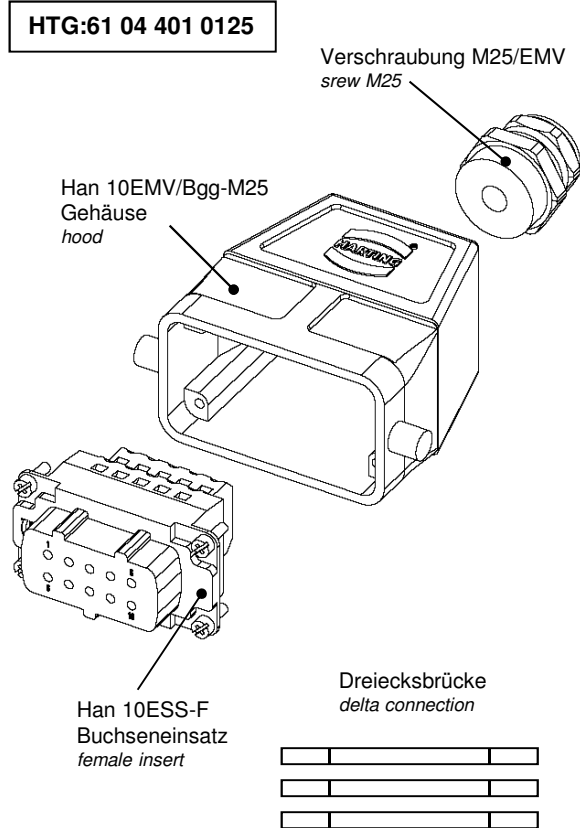
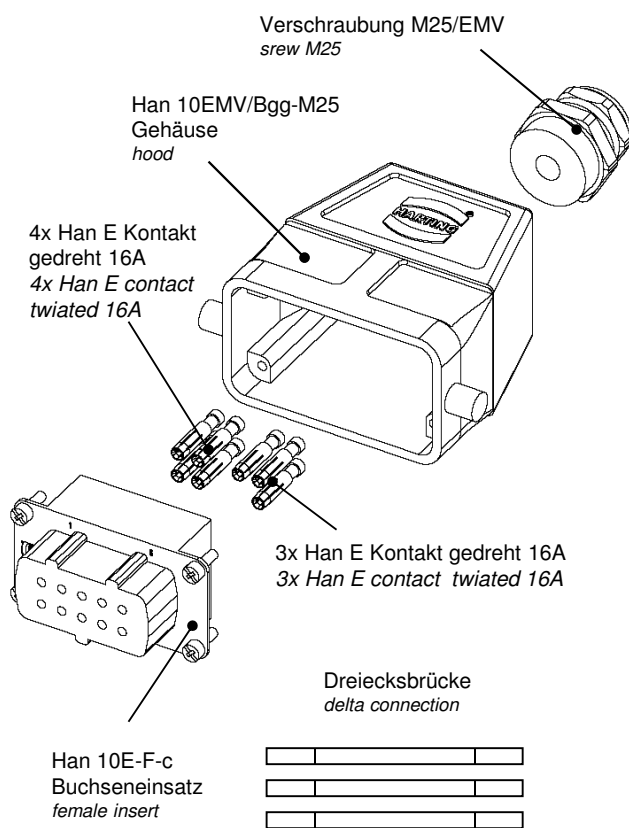
| Artikel-Nr. <i>Part No.</i> | Querschnitt <i>Wire gauge</i> |
|--------------------------------|--|
| HTG:61 83 401 0120 | 3x 1,5mm ² + 4x 0,75mm ² |
| HTG:61 83 401 0121 | 3x 2,5mm ² + 4x 0,75mm ² |
| HTG:61 83 401 0122 | 3x 4,0mm ² + 2x 1,0mm ² + 2x1,5mm ² |

Die Dichteinätze sind passend für geschirmte Motorleitungen Kapitel 3.4 - 3.7.
Sealing fit's to screened motor cable item 3.4 - 3.7.

SINAMICS G120D

3.9 Steckersätze (geschirmt) für Motor-Anschlussleitung auf Motorseite (Dreiecksbrücke)

Set of connectors (screened) for motor cable at motor side (delta connection)



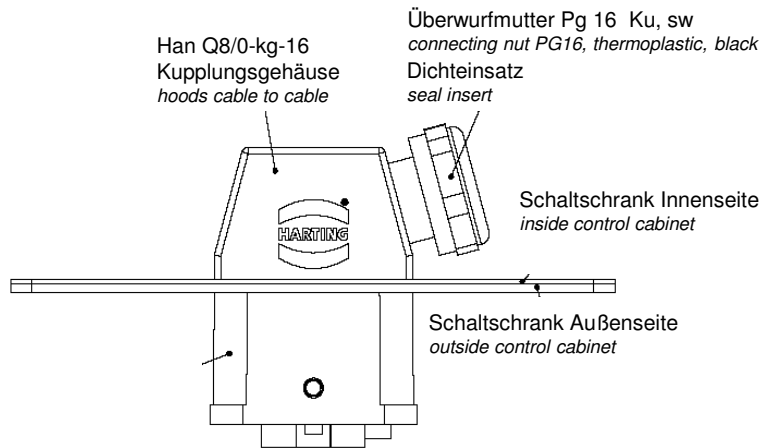
Buchsen-Stecker
Female insert

| Artikel-Nr. <i>Part No.</i> | Querschnitt <i>Wire gauge</i> |
|--------------------------------|---|
| HTG:61 83 401 0123 | 3x 1,5mm ² + 3x 3mm ² + 4x 0,75mm ² |
| HTG:61 83 401 0124 | 3x 2,5mm ² + 3x 4mm ² + 4x 0,75mm ² |
| HTG:61 83 401 0125 | 3x 4,0mm ² + 3x 2,5mm ² + 4x 1,0mm ² |

Die Dichteinätze sind passend für geschirmte Motorleitungen Kapitel 3.4 - 3.7.
Sealing fit's to screened motor cable item 3.4 - 3.7.

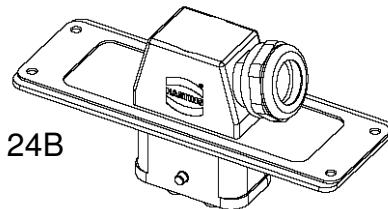
SINAMICS G120D

4.1 Steckersätze für Energiebus Anschluss Schaltschrank / Unterverteiler / Set of connectors for power bus switching cabinet/subdistributor

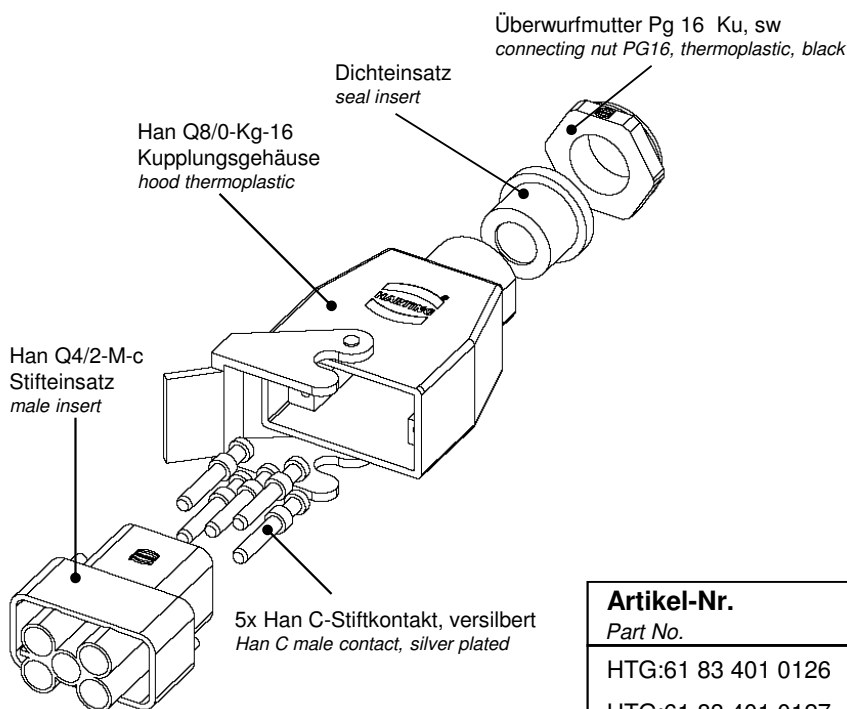


Buchsen-Stecker
 Female insert

| Artikel-Nr. Part No. | Querschnitt Wire gauge |
|-------------------------|---------------------------|
| HTG:61 88 201 0051 | 6mm ² |



Baugröße Han 24B



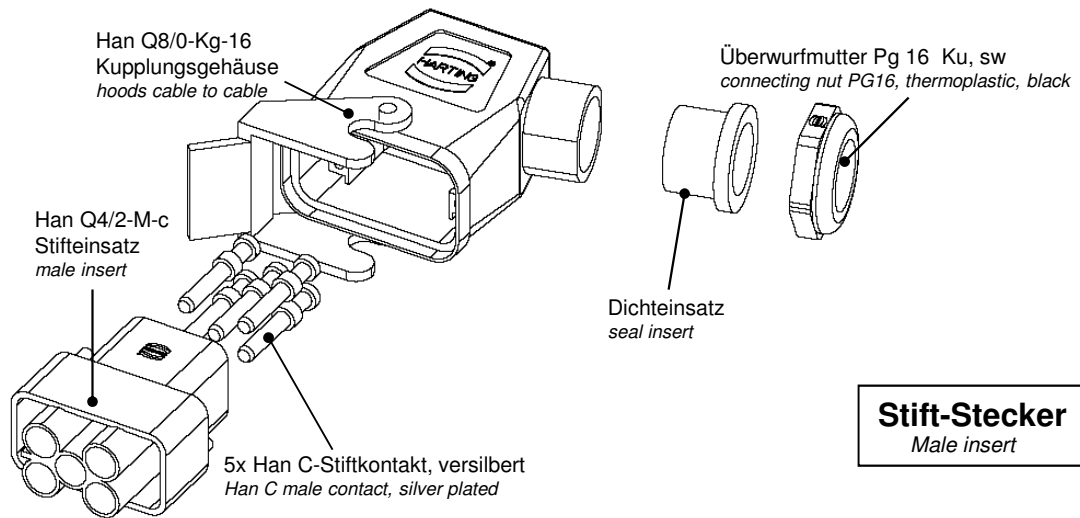
Stift-Stecker
 Male insert

| Artikel-Nr. Part No. | Querschnitt Wire gauge | Dichteinsatz seal insert |
|-------------------------|---------------------------|-----------------------------|
| HTG:61 83 401 0126 | 4mm ² | 12,5-16,5 grau/grey |
| HTG:61 83 401 0127 | 6mm ² | 12,5-16,5 grau/grey |

Solution Partner
 Automation **SIEMENS**

SINAMICS G120D

4.1 Steckersätze für Energiebus Anschluss Schaltschrank / Unterverteiler / Set of connectors for power bus switching cabinet/subdistributor

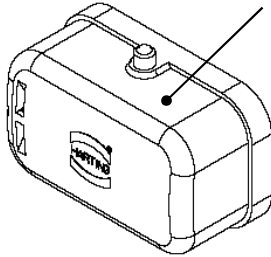


| Artikel-Nr. Part No. | Querschnitt Wire gauge | Dichteinsatz seal insert |
|-------------------------|---------------------------|-----------------------------|
| HTG:61 83 401 0128 | 4mm ² | 12,5-16,5 grau/grey |
| HTG:61 83 401 0129 | 6mm ² | 12,5-16,5 grau/grey |

SINAMICS G120D

4.2 Verschlusskappen / Protection covers (if there is no plug used)

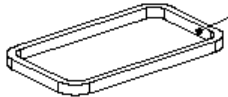
Han Q4/2 und Q 8/2-AK-QB, schwarz
 Protection cover for male insert, black



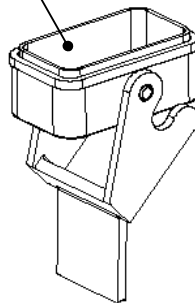
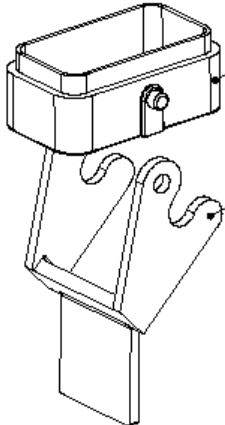
Artikel-Nr.

Part No.

HTG: 09 12 008 5407



Han Q Abdeckkappe
 mit Verriegelungsbügel
 Han Q protection cover

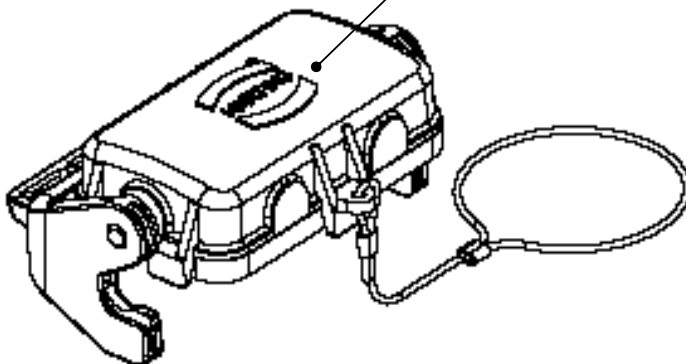


Artikel-Nr.

Part No.

HTG: 61 83 401 0070

Han 10B-AK-LB-Dichtung, Metallabdeckkappe
 metal cover



Artikel-Nr.

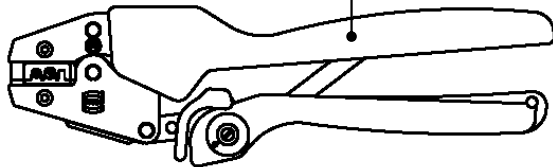
Part No.

HTG: 09 30 010 5432

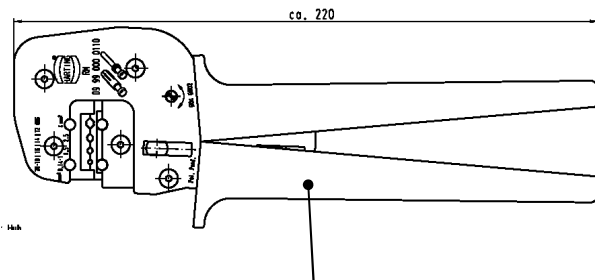
SINAMICS G120D

4.3 Crimpzangen / Crimping tools

Crimpzange für Han Q 4/2
 crimping tool for Han Q4/2



| Artikel-Nr. Part No. | Querschnitt Wire gauge |
|-------------------------|------------------------------------|
| HTG:09 99 000 0303 | 4mm ² -6mm ² |



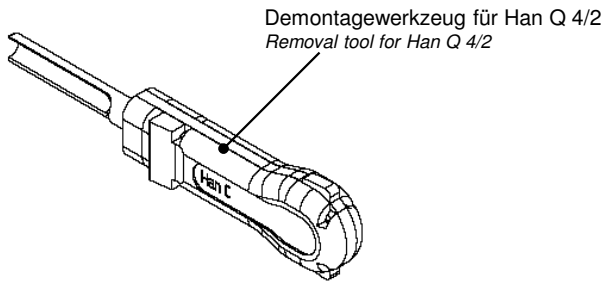
Crimpzange für Han Q 8/0 / Han 10E
 crimping tool for Han Q 8/0 / Han 10E

| Artikel-Nr. Part No. | Querschnitt Wire gauge |
|-------------------------|--------------------------------------|
| HTG:09 99 000 0110 | 0,5mm ² -4mm ² |

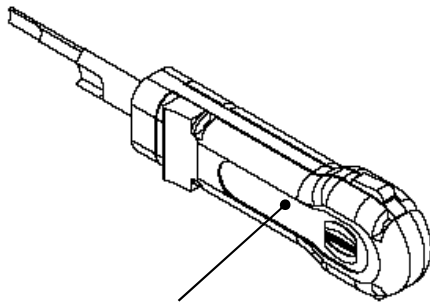
SINAMICS G120D

4.4 Demontagewerkzeuge für Stifte und Buchsen

Dismantle tools for male and female inserts



| Artikel-Nr. <i>Part No.</i> | Querschnitt <i>Wire gauge</i> |
|--------------------------------|------------------------------------|
| HTG:09 99 000 0305 | 4mm ² -6mm ² |



Demontagewerkzeug für Han Q 8/0 / Han 10E
 Removal tool for Han Q 8/0 / Han 10E

| Artikel-Nr. <i>Part No.</i> | Querschnitt <i>Wire gauge</i> |
|--------------------------------|--------------------------------------|
| HTG:09 99 000 0319 | 0,5mm ² -4mm ² |



Bestell-Nummern-Verzeichnis

List of part numbers

SINAMICS G120D

| Artikelnummer <i>Part No.</i> | Kapitel <i>Chapter</i> |
|----------------------------------|---------------------------|
| HTG:61 83 401 0200 | 1.1/1.2 |
| HTG:61 83 401 0201 | 1.1/1.2 |
| HTG:61 83 401 0202 | 1.1/1.2 |
| HTG:61 83 401 0203 | 1.1/1.2 |
| HTG:61 83 401 0204 | 1.1/1.2 |
| HTG:61 88 201 0502 | 1.1 |
| HTG:61 88 201 0503 | 1.1 |
| HTG:61 88 201 0504 | 1.1 |
| HTG:61 88 201 0500/0501 | 1.1 |
| HTG:61 88 202 0770 | 1.2 |
| HTG:09 12 008 5407 | 4.2 |
| HTG:09 30 010 5432 | 4.2 |
| HTG:09 99 000 0110 | 4.3 |
| HTG:09 99 000 0303 | 4.3 |
| HTG:09 99 000 0305 | 4.4 |
| HTG:09 99 000 0319 | 4.4 |
| HTG:61 04 401 0502 | 2.7 |
| HTG:61 04 401 0545 | 2.7 |
| HTG:61 04 401 0550 | 2.7 |
| HTG:61 04 401 0556 | 2.7 |
| HTG:61 83 401 0070 | 4.2 |
| HTG:61 83 401 0120 | 3.9 |
| HTG:61 83 401 0121 | 3.9 |
| HTG:61 83 401 0122 | 3.9 |
| HTG:61 83 401 0123 | 3.9 |
| HTG:61 83 401 0124 | 3.9 |
| HTG:61 83 401 0125 | 3.9 |
| HTG:61 83 401 0126 | 4.1 |
| HTG:61 83 401 0127 | 4.1 |
| HTG:61 83 401 0128 | 4.1 |
| HTG:61 83 401 0129 | 4.1 |
| HTG:61 83 401 0130 | 3.1.5 |
| HTG:61 83 401 0131 | 3.8 |
| HTG:61 83 401 0132 | 3.8 |
| HTG:61 83 401 0133 | 3.8 |

| Artikelnummer <i>Part No.</i> | Kapitel <i>Chapter</i> |
|----------------------------------|---------------------------|
| HTG:61 88 201 0051 | 4.1 |
| HTG:61 88 201 0181 | 1.2 |
| HTG:61 88 201 0192 | 2.3 |
| HTG:61 88 201 0193 | 2.3 |
| HTG:61 88 201 0194 | 2.3 |
| HTG:61 88 201 0195 | 2.3 |
| HTG:61 88 201 0196 | 2.3 |
| HTG:61 88 201 0197 | 2.3 |
| HTG:61 88 201 0198 | 2.3 |
| HTG:61 88 201 0199 | 2.3 |
| HTG:61 88 201 0200 | 2.3 |
| HTG:61 88 201 0201 | 2.3 |
| HTG:61 88 201 0202 | 2.3 |
| HTG:61 88 201 0203 | 2.3 |
| HTG:61 88 201 0288 | 3.3.1 |
| HTG:61 88 201 0289 | 3.3.1 |
| HTG:61 88 201 0290 | 3.3.1 |
| HTG:61 88 201 0291 | 3.3.1 |
| HTG:61 88 201 0292 | 3.3.1 |
| HTG:61 88 201 0293 | 3.3.1 |
| HTG:61 88 201 0299 | 3.3.1 |
| HTG:61 88 201 0300 | 3.3.1 |
| HTG:61 88 201 0301 | 3.3.1 |
| HTG:61 88 201 0302 | 3.3.1 |
| HTG:61 88 201 0303 | 3.3.1 |
| HTG:61 88 201 0304 | 3.3.1 |
| HTG:61 88 201 0305 | 3.3.1 |
| HTG:61 88 201 0306 | 3.3.1 |
| HTG:61 88 201 0307 | 3.3.1 |
| HTG:61 88 201 0350 | 3.3.2 |
| HTG:61 88 201 0351 | 3.3.2 |
| HTG:61 88 201 0352 | 3.3.2 |
| HTG:61 88 201 0353 | 3.3.2 |
| HTG:61 88 201 0354 | 3.3.2 |
| HTG:61 88 201 0355 | 3.3.2 |



Bestell-Nummern-Verzeichnis

List of part numbers

SINAMICS G120D

| Artikelnummer <i>Part No.</i> | Kapitel <i>Chapter</i> | Artikelnummer <i>Part No.</i> | Kapitel <i>Chapter</i> |
|----------------------------------|---------------------------|----------------------------------|---------------------------|
| HTG:61 88 201 0356 | 3.3.2 | HTG:61 88 202 0529 | 3.2 |
| HTG:61 88 201 0357 | 3.3.2 | HTG:61 88 202 0530 | 3.2 |
| HTG:61 88 201 0358 | 3.3.2 | HTG:61 88 202 0531 | 3.2 |
| HTG:61 88 201 0359 | 3.3.2 | HTG:61 88 202 0532 | 3.2 |
| HTG:61 88 201 0360 | 3.3.2 | HTG:61 88 202 0533 | 3.2 |
| HTG:61 88 201 0361 | 3.3.2 | HTG:61 88 600 0101 | 1.4 |
| HTG:61 88 201 0362 | 3.3.2 | HTG:61 88 600 0102 | 1.4 |
| HTG:61 88 201 0363 | 3.3.2 | HTG:61 88 600 0107 | 1.5 |
| HTG:61 88 201 0364 | 3.3.2 | HTG:61 88 600 0108 | 1.5 |
| HTG:61 88 202 0400 | 2.1 | HTG:61 88 600 0113 | 1.6 |
| HTG:61 88 202 0401 | 2.1 | HTG:61 88 600 0114 | 1.6 |
| HTG:61 88 202 0402 | 2.1 | HTG:61 88 600 0115 | 2.4 |
| HTG:61 88 202 0403 | 2.1 | HTG:61 88 600 0116 | 2.4 |
| HTG:61 88 202 0404 | 2.1 | HTG:61 88 600 0117 | 2.5 |
| HTG:61 88 202 0405 | 2.1 | HTG:61 88 600 0118 | 2.5 |
| HTG:61 88 202 0406 | 2.1 | HTG:61 88 600 0119 | 2.6 |
| HTG:61 88 202 0407 | 2.1 | HTG:61 88 600 0120 | 2.6 |
| HTG:61 88 202 0408 | 2.1 | HTG:61 88 601 0004 | 3.4 |
| HTG:61 88 202 0409 | 2.1 | HTG:61 88 601 0005 | 3.4 |
| HTG:61 88 202 0410 | 2.1 | HTG:61 88 601 0006 | 3.5 |
| HTG:61 88 202 0411 | 2.1 | HTG:61 88 601 0007 | 3.5 |
| HTG:61 88 202 0497 | 3.1.4 | HTG:61 88 601 0008 | 3.6 |
| HTG:61 88 202 0499 | 3.1 | HTG:61 88 601 0009 | 3.6 |
| HTG:61 88 202 0500 | 3.1 | HTG:61 88 601 0010 | 3.4.1 |
| HTG:61 88 202 0514 | 3.1 | HTG:61 88 601 0011 | 3.4.1 |
| HTG:61 88 202 0515 | 3.1 | HTG:61 88 601 0012 | 3.5.1 |
| HTG:61 88 202 0520 | 3.1 | HTG:61 88 601 0013 | 3.5.1 |
| HTG:61 88 202 0521 | 3.1 | HTG:61 88 601 0014 | 3.6.1 |
| HTG:61 88 202 0522 | 3.1 | HTG:61 88 601 0015 | 3.6.1 |
| HTG:61 88 202 0523 | 3.1 | HTG:61 88 601 0016 | 3.7 |
| HTG:61 88 202 0524 | 3.1 | HTG:61 88 601 0017 | 3.7 |
| HTG:61 88 202 0525 | 3.2 | | |
| HTG:61 88 202 0526 | 3.2 | | |
| HTG:61 88 202 0527 | 3.2 | | |
| HTG:61 88 202 0528 | 3.2 | | |



Tochtergesellschaften - weltweit

Subsidiary companies - worldwide

Australia

HARTING Pty Ltd
Suite 11 / 2 Enterprise Drive
Bundoora 3083, AUS-Victoria
Tel. +61 9466 7088, Fax +61 9466 7099
E-Mail: au@HARTING.com, www.HARTING.com

Belgium

HARTING N.V./S.A.
Z.3 Doornveld 23, B-1731 Zellik
Tel. +32 2 466 0190, Fax +32 2 466 7855
E-Mail: be@HARTING.com, www.HARTING.be

Brazil

HARTING Ltda.
Av. Dr. Lino de Moraes, Pq. Jabaquara, 255
CEP 04360-001 – São Paulo – SP – Brazil
Tel. +55 11 5035 0073, Fax +55 11 5034 4743
E-Mail: br@HARTING.com
www.HARTING.com.br

China

Zhuhai HARTING Limited, Shanghai branch
Room 5403, HK New World Tower
300 Huai Hai Road (M.)
Shanghai 200021, China
Tel. +86 21 6386 2200, Fax +86 21 6386 8636
E-Mail: cn@HARTING.com
www.HARTING.com.cn

Deutschland

HARTING Deutschland GmbH & Co. KG
Postfach 2451, D-32381 Minden
Simeons carré 1, D-32427 Minden
Tel. +49 571 8896 0, Fax +49 571 8896 282
E-Mail: de@HARTING.com
www.HARTING.com

Finnland

HARTING Oyj
Teknobulevardi 3-5, PL 35, FI-01530 Vantaa
Tel. +358 9 350 87 300, Fax +358 9 350 87 320
E-Mail: fi@HARTING.com, www.HARTING.fi
Frankreich

HARTING France

181 avenue des Nations, Paris Nord 2
BP 66058 Tremblay en France
F-95972 Roissy Charles de Gaulle Cédex
Tel. +33 1 4938 3400, Fax +33 1 4863 2306
E-Mail: fr@HARTING.com, www.HARTING.fr

Great Britain

HARTING Ltd., Caswell Road
Brackmills Industrial Estate
GB-Northampton, NN4 7PW
Tel. +44 1604 827 500, Fax +44 1604 706 777
E-Mail: gb@HARTING.com
www.HARTING.co.uk

Hong Kong

HARTING (HK) Limited,
Regional Office Asia Pacific
3512 Metroplaza Tower 1, 223 Hing Fong Road
Kwai Fong, N. T., Hong Kong
Tel. +852 2423 7338, Fax +852 2480 4378
E-Mail: ap@HARTING.com
www.HARTING.com.hk

India

HARTING India Private Limited
No. D, 4th Floor, „Doshi Towers“
No. 156 Poonamallee High Road,
Kilpauk, Chennai 600 010, Tamil Nadu, Chennai
Tel. +91 44 435604 15, Fax +91 44 435604 17
E-Mail: in@HARTING.com, www.HARTING.com

Italy

HARTING SpA
Via dell'Industria 7, I-20090 Vimodrone (Milano)
Tel. +39 02 250801, Fax +39 02 2650 597
E-Mail: it@HARTING.com, www.HARTING.it

Japan

HARTING K. K.
Yusen Shin-Yokohama 1 Chome Bldg., 2F
1-7-9, Shin-Yokohama, Kohoku-ku, Yokohama
Yokohama 222-0033 Japan
Tel. +81 45 476 3456, Fax +81 45 476 3466
E-Mail: jp@HARTING.com, www.HARTING.co.jp

Korea

HARTING Korea Limited
#308 Yatap Leaders Building
342-1, Yatap-dong, Bundang-gu,
Sungnam-Si Gyeonggi-Do
463-828 Republic of Korea
Tel. +82 31 781 4613, Fax +82 31 781 4616
E-Mail: kr@HARTING.com
www.HARTING.com.kr

Netherlands

HARTING B.V.
Larenweg 44, NL-5234 KA ,s-Hertogenbosch
Postbus 3526, NL-5203 DM ,s-Hertogenbosch
Tel. +31 736 410 404, Fax +31 736 440 699
E-Mail: nl@HARTING.com, www.HARTINGbv.nl

Norway

HARTING A/S
Østensjøveien 36, N-0667 Oslo
Tel. +47 22 700 555, Fax +47 22 700 570
E-Mail: no@HARTING.com, www.HARTING.no

Österreich

HARTING Ges. m. b. H.
Deutschstraße 19, A-1230 Wien
Tel. +431 6162121, Fax +431 6162121-21
E-Mail: at@HARTING.com, www.HARTING.at

Poland

HARTING Polska Sp. z o. o
Ul. Kamienskigo 201-219, PL-51-126 Wroclaw
Tel. +48 71 352 81 71, Fax +48 71 320 74 44
E-Mail: pl@HARTING.com, www.HARTING.pl

Portugal

HARTING Iberia, S. A.
Avda. Josep Tarradellas, 20-30, 4 o 6a
E-08029 Barcelona
Tel. +34 93 363 84 75, Fax +34 93 419 95 85
E-Mail: es@HARTING.com
www.HARTING.es/pt

Russia

HARTING ZAO
Maily Sampsoniyevsky prospect 2A
194044 Saint Petersburg, Russia
Tel. +7 812 327 6477, Fax +7 812 327 6478
E-Mail: ru@HARTING.com, www.HARTING.ru

Sweden

HARTING AB
Gustavslundsvägen 141 B 4tr, S-167 51 Bromma
Tel. +46 8 445 7171, Fax +46 8 445 7170
E-Mail: se@HARTING.com, www.HARTING.se

Schweiz

HARTING AG
Industriestrasse 26, CH-8604 Volketswil
Tel. +41 44 908 20 60, Fax +41 44 908 20 69
E-Mail: ch@HARTING.com, www.HARTING.ch

Singapore

HARTING Singapore Pte Ltd.
25 International Business Park
#02-06 German Centre, Singapore 609916
Tel. +65 6225 5285, Fax +65 6225 9947
E-Mail: sg@HARTING.com, www.HARTING.com

Spain

HARTING Iberia S.A.
Josep Tarradellas 20-30 4o 6a
E-08029 Barcelona
Tel. +34 93 363 84 75, Fax +34 93 419 95 85
E-Mail: es@HARTING.com, www.HARTING.es

Taiwan

HARTING R.O.C. Limited
Room 1, 5/F, 495 GuangFu South Road
RC-110 Taipei, Taiwan
Tel. +886 227 586 177, Fax +886 227 587 177
E-Mail: tw@HARTING.com, www.HARTING.com.tw

Czech Republic

HARTING spol. s.r.o.
Mí'ynská 2, CZ-160 00 Praha 6
Tel. +420 220 380 460, Fax +420 220 380 461
E-Mail: cz@HARTING.com, www.HARTING.cz

Ungarn

HARTING Magyarország Kft.
Fehérvári út 89-95, H-1119 Budapest
Tel. +36 1 205 34 64, Fax +36 1 205 34 65
E-Mail: hu@HARTING.com, www.HARTING.hu

USA

HARTING Inc. of North America
1370 Bowes Road, USA-Elgin, Illinois 60123
Tel. +1 877 741-1500 (toll free)
Fax +1 866 278-0307 (Inside Sales)
Fax +1 847 717-9430 (Sales and Marketing)
E-Mail: us@HARTING.com,
www.HARTING-USA.com

Eastern-Europe

HARTING Eastern Europe GmbH
Bamberger Straße 7, D-01187 Dresden
Tel. +49 351 4361 760, Fax +49 351 4361 770
E-Mail: Eastern.Europe@HARTING.com
www.HARTING.com